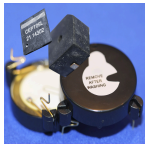


## CT09E-04S267-3

Former P/N: CET090K045-16-205-27MHR

Rev. 2-2019  
RoHS3 & REACH  
Electromagnetic Sound Transducers



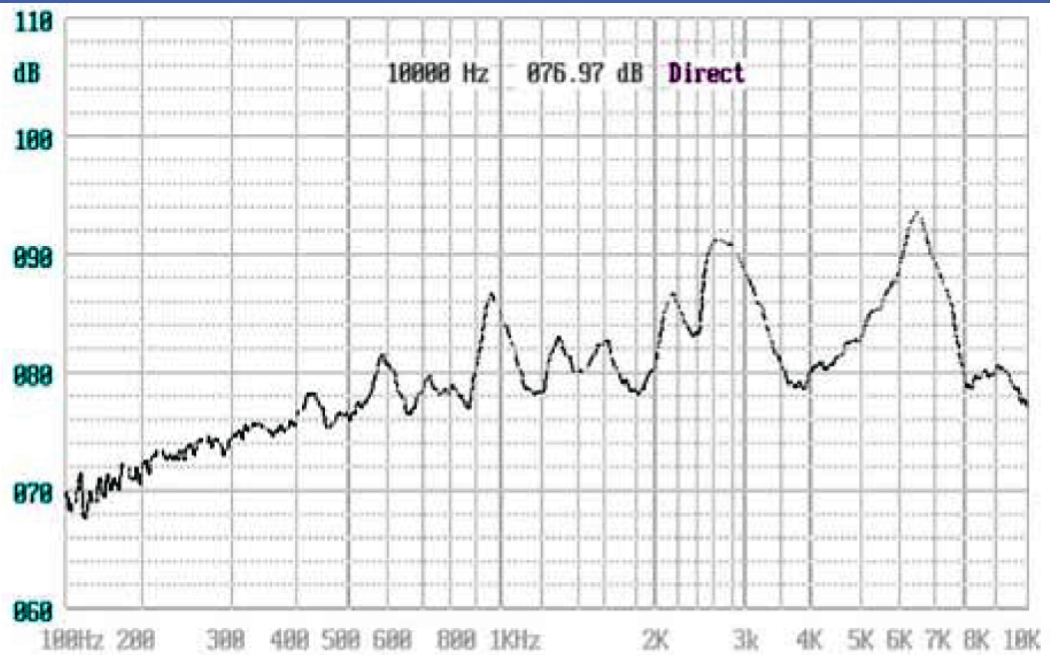
### Operating Characteristics

#### ELECTRICAL

Rated Voltage	3.6 Vo-p
Operating Voltage	2.0 to 4.5 Vo-p
Coil Resistance	16 ± 3 Ω
Max Current at V Rated	200 mA

#### ACOUSTIC

Min SPL at V Rated	86 dB
Test Conditions	10 cm
f <sub>o</sub>	2670 Hz ± 15 %



### Physical Characteristics

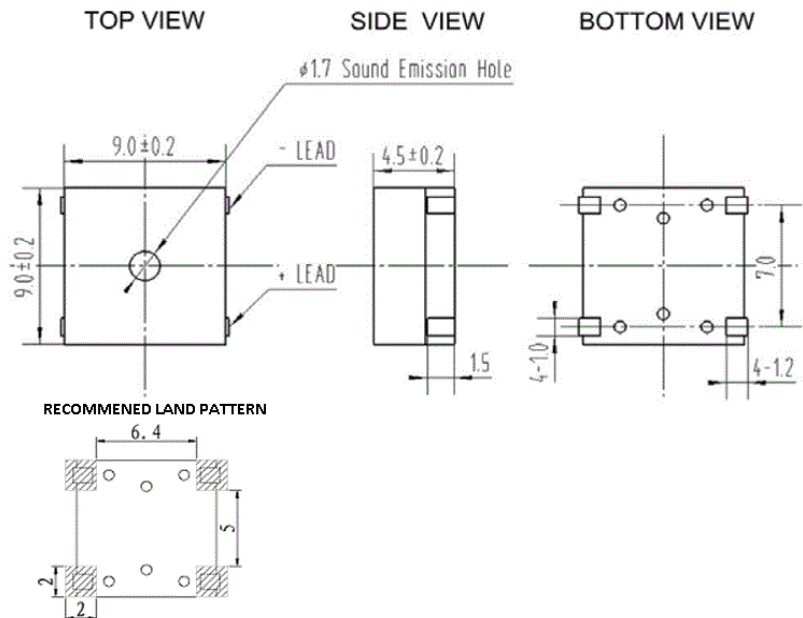
#### MATERIAL

Housing	Plastic, LCP Vectra E130i
Diaphragm	Ni Alloy Disc N50
Solder Pad	Tin Plated Brass

#### TEMPERATURE RANGES

Operating	-40 to +80 °C
Storage	-40 to +85 °C

Weight	0.6 g
--------	-------



Revision	Description	By	Date
0-2000	Initial Specification Sheet	EZ	2000-00-00
2-2019	Migrate to new format.	JL	2019-06-21

Warranty: For a period of one (1) year from date of shipping under normal operations conditions This warranty does not apply to products damaged through misuse, abuse, improper installation, alteration, rework, or attempt to repair.