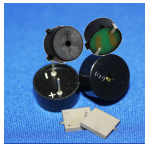


INDICATORS • SPEAKERS • SOUND TRANSDUCERS • ENCLOSURES • MICROPHONES • BATTERY ACCESSORIES

CT46P-40W320-1

Former P/N: CEPT4001130-140-32W100R

Rev. 1-2019
 RoHS3 & REACH
 Piezoelectric Sound Transducers



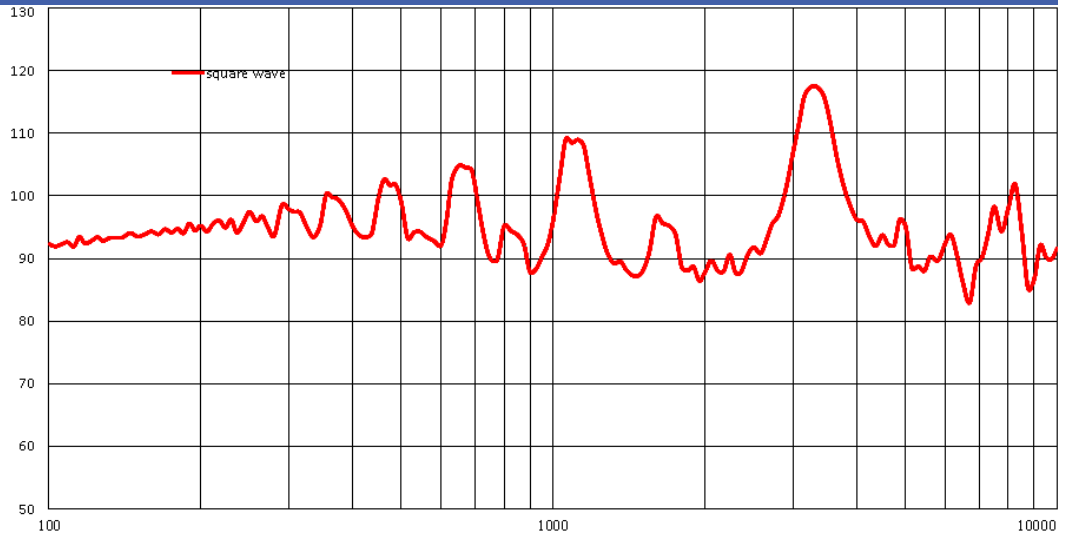
Operating Characteristics

ELECTRICAL

Rated Voltage	9 Vp-p
Max Operating Voltage	40 Vp-p
Max Current at V Rated	5 mA
Capacitance	27000 pF ± 30 % 1000 Hz

ACOUSTIC

Min SPL at V Rated	110 dB
Test Conditions	10 cm
f _o	3200 ± 500 Hz



Physical Characteristics

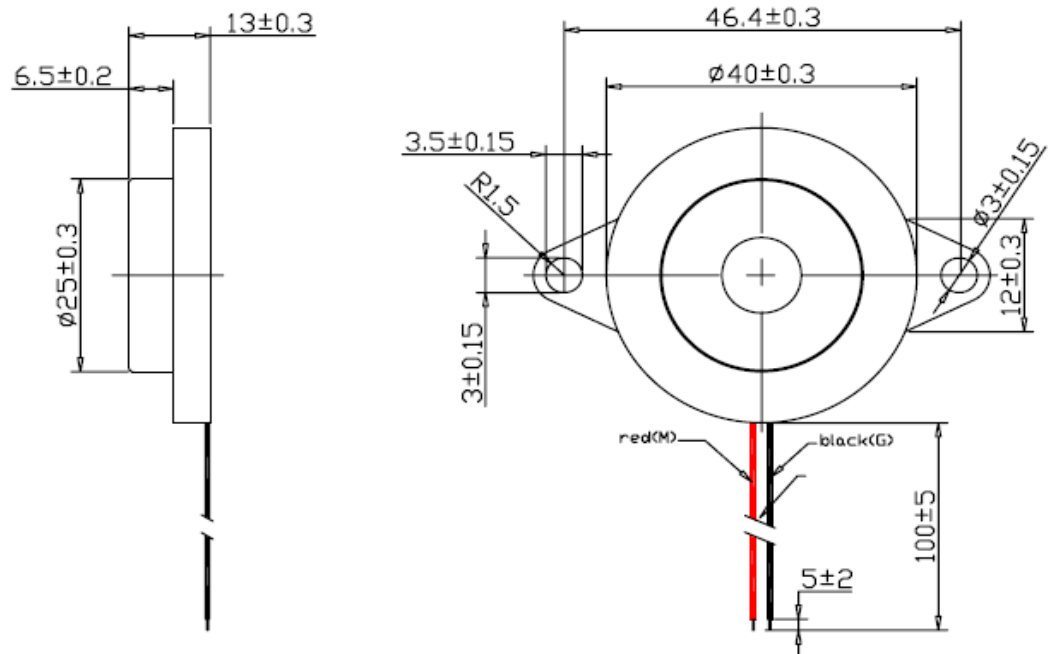
MATERIALS

Housing	ABS777D
Diaphragm	Stainless Steel
Wire	28 AWG, UL 1095

TEMPERATURE RANGES

Operating	-30 to +70 °C
Storage	-40 to +85 °C

Weight 5 g



Revision	Description	By	Date
1-2019	Migrate to new format	JL	2019-06-21

Warranty: For a period of one (1) year from date of shipping under normal operations conditions This warranty does not apply to products damaged through misuse, abuse, improper installation, alteration, rework, or attempt to repair.