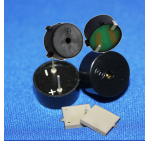


INDICATORS • SPEAKERS • SOUND TRANSDUCERS • ENCLOSURES • MICROPHONES • BATTERY ACCESSORIES

## CT39P-12T340-1

Former P/N: CEPT390B200-612-34P145R

Rev. 1-2019  
RoHS3 & REACH  
Piezoelectric Sound Transducers



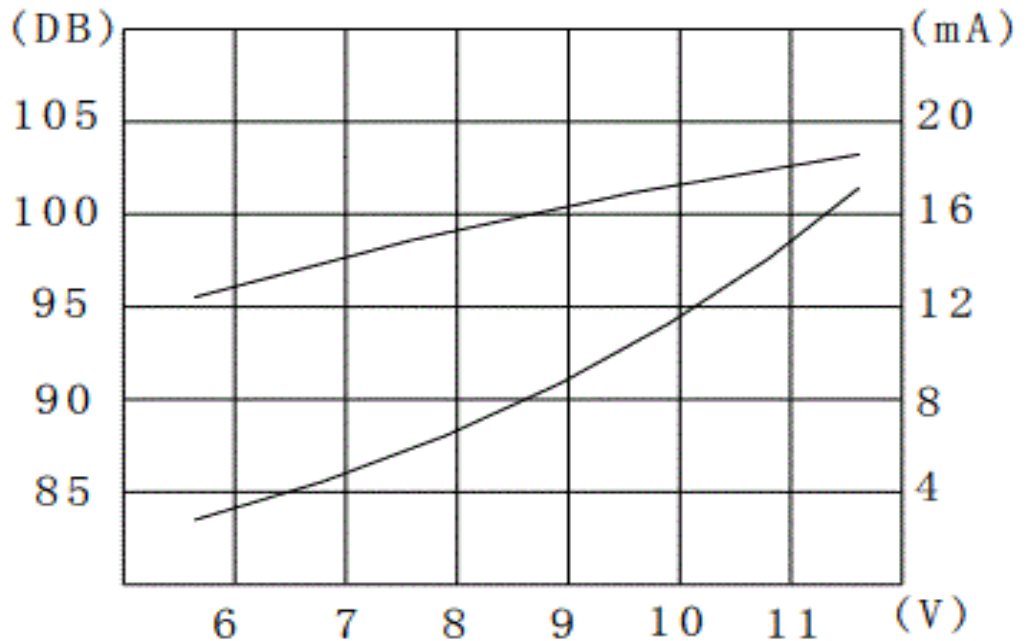
### Operating Characteristics

#### ELECTRICAL

Rated Voltage	9 Vp-p
Max Operating Voltage	12 Vp-p
Max Current at V Rated	20 mA
Capacitance	28000 pF ± 30 % 1000 Hz

#### ACOUSTIC

Min SPL at V Rated	95 dB
Test Conditions	30 cm
$f_o$	3400 ± 500 Hz



### Physical Characteristics

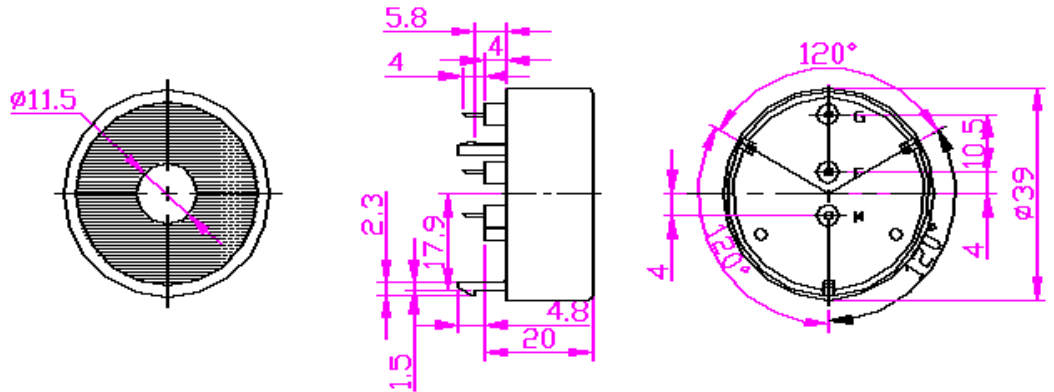
#### MATERIALS

Housing	ABS757
Diaphragm	Stainless Steel
PC Pin	Tin Plated Beryllium Bronze

#### TEMPERATURE RANGES

Operating	-30 to +70 °C
Storage	-40 to +85 °C

Weight 12 g



Revision	Description	By	Date
1-2019	Migrate to new format	JL	2019-06-21

Warranty: For a period of one (1) year from date of shipping under normal operations conditions This warranty does not apply to products damaged through misuse, abuse, improper installation, alteration, rework, or attempt to repair.