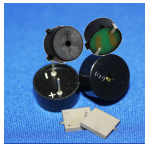


INDICATORS • SPEAKERS • SOUND TRANSDUCERS • ENCLOSURES • MICROPHONES • BATTERY ACCESSORIES

CT23P-25T400-1

Former P/N: CEPT238B065-125-40PR

Rev. 6-2019
RoHS3 & REACH
Piezoelectric Sound Transducers



Operating Characteristics

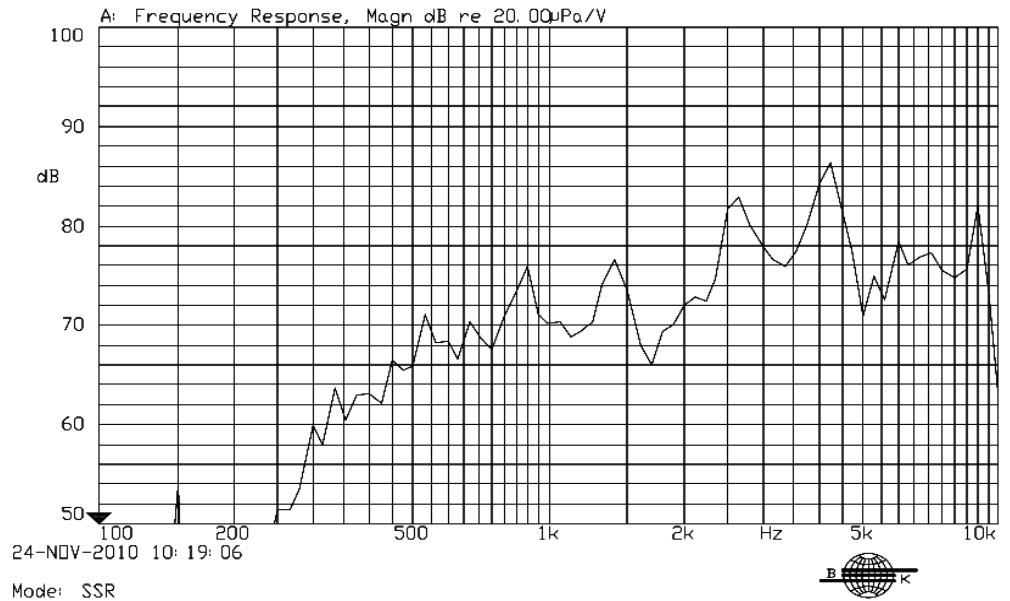
ELECTRICAL

Rated Voltage	3 Vp-p
Max Operating Voltage	25 Vp-p
Max Current at V Rated	5 mA
Capacitance	24000 pF ± 30 % 120 Hz

ACOUSTIC

Min SPL at V Rated	80 dB
Test Conditions	10 cm
f _o	4000 ± 200 Hz

X: 100.00Hz *Y: 35.21dB* ZA: Live Curve SSR T. Ha.



Physical Characteristics

MATERIALS

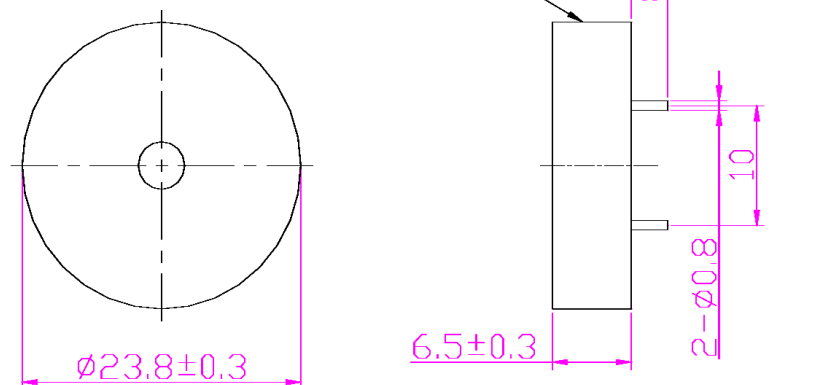
Housing	ABS 777D
Diaphragm	Brass
PC Pin	Copper

TEMPERATURE RANGES

Operating	-20 to +60 °C
Storage	-30 to +70 °C

Weight 2.5 g

Print silver:CEPT238B065
-125-40PR/YM
(Y:Year M:Month)



Revision	Description	By	Date
5-2019	Updated glue adhering diaphragm to housing to 1600 Glue (as of Date Code 19C)	JL	2019-02-18
6-2019	Migrate to new format.	JL	2019-06-24

Warranty: For a period of one (1) year from date of shipping under normal operations conditions This warranty does not apply to products damaged through misuse, abuse, improper installation, alteration, rework, or attempt to repair.

The information contained herein is believed to be correct, but no guarantee or warranty, express or implied, with respect to accuracy, completeness or results is extended and no liability is assumed. Challenge Electronics reserves the right to make changes in any specification, data or material contained herein.