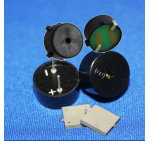


CT17P-25T200-1

Former P/N: CEPT170B098-325-20P10-3R

Rev. 4-2019
RoHS3 & REACH
Piezoelectric Sound Transducers



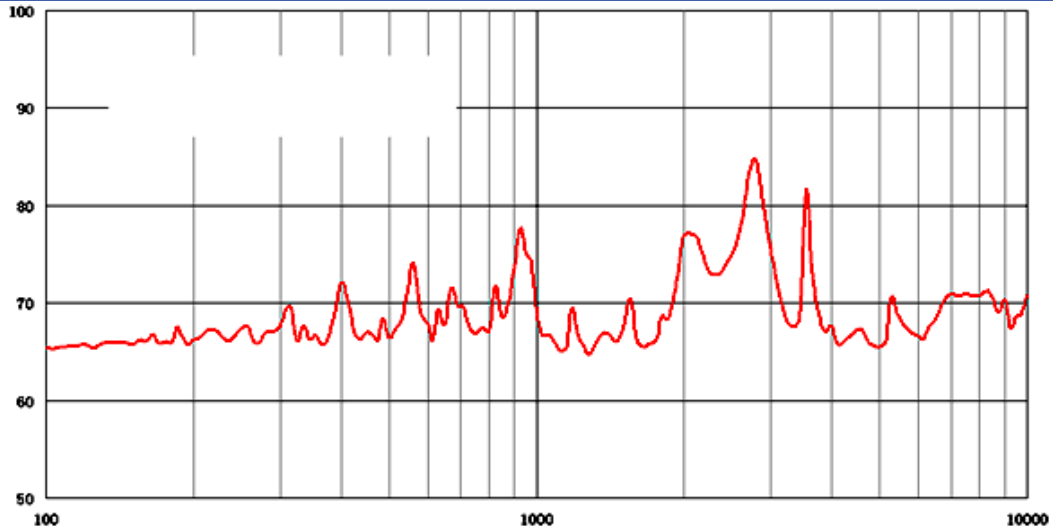
Operating Characteristics

ELECTRICAL

Rated Voltage	3 Vp-p
Max Operating Voltage	25 Vp-p
Max Current at V Rated	5 mA
Capacitance	20000 pF ± 30 % 120 Hz

ACOUSTIC

Min SPL at V Rated	70 dB
Test Conditions	10 cm
f_o	2000



Physical Characteristics

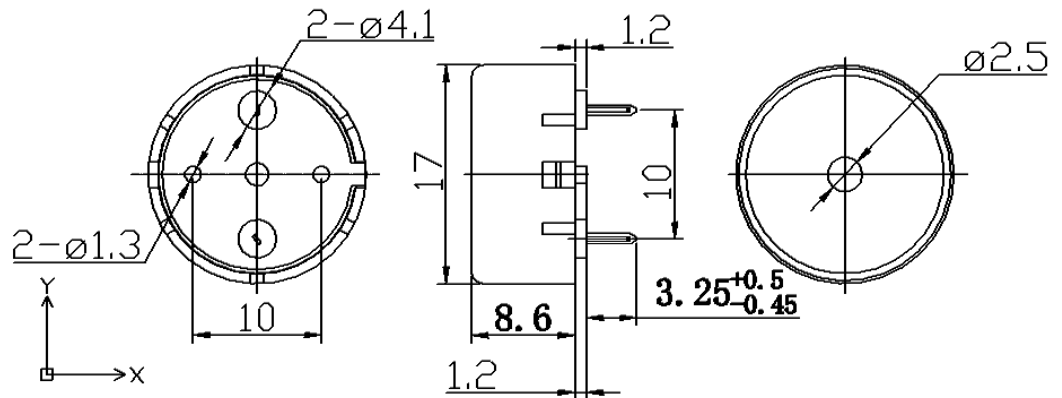
MATERIALS

Housing	Plastic, PBT
Diaphragm	Brass
PC Pin	Beryllium Bronze

TEMPERATURE RANGES

Operating	-30 to +70 °C
Storage	-40 to +85 °C

Weight 1.4 g



Revision	Description	By	Date
3-2019	Add Alias CT17PT-25200-1	WS	2019-04-29
4-2019	Migrate to new format.	JL	2019-06-21

Warranty: For a period of one (1) year from date of shipping under normal operations conditions This warranty does not apply to products damaged through misuse, abuse, improper installation, alteration, rework, or attempt to repair.

The information contained herein is believed to be correct, but no guarantee or warranty, express or implied, with respect to accuracy, completeness or results is extended and no liability is assumed. Challenge Electronics reserves the right to make changes in any specification, data or material contained herein.