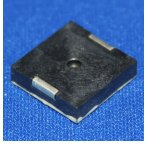


INDICATORS • SPEAKERS • SOUND TRANSDUCERS • ENCLOSURES • MICROPHONES • BATTERY ACCESSORIES

CT12P-20S400-7

Former P/N: CEPT120S030-400MR

Rev. 3-2019
RoHS3 & REACH
Piezoelectric Sound Transducers



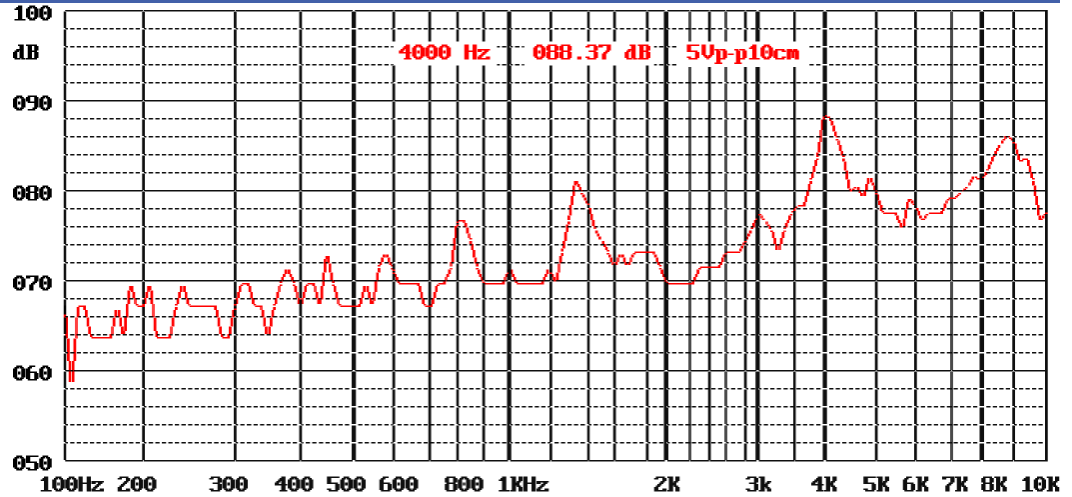
Operating Characteristics

ELECTRICAL

Rated Voltage	5 Vp-p
Max Operating Voltage	20 Vp-p
Max Current at V Rated	1 mA
Capacitance	15000 pF ± 30 % 100 Hz

ACOUSTIC

Min SPL at V Rated	78 dB
Test Conditions	10 cm
f_0	4000 ± 500 Hz



Physical Characteristics

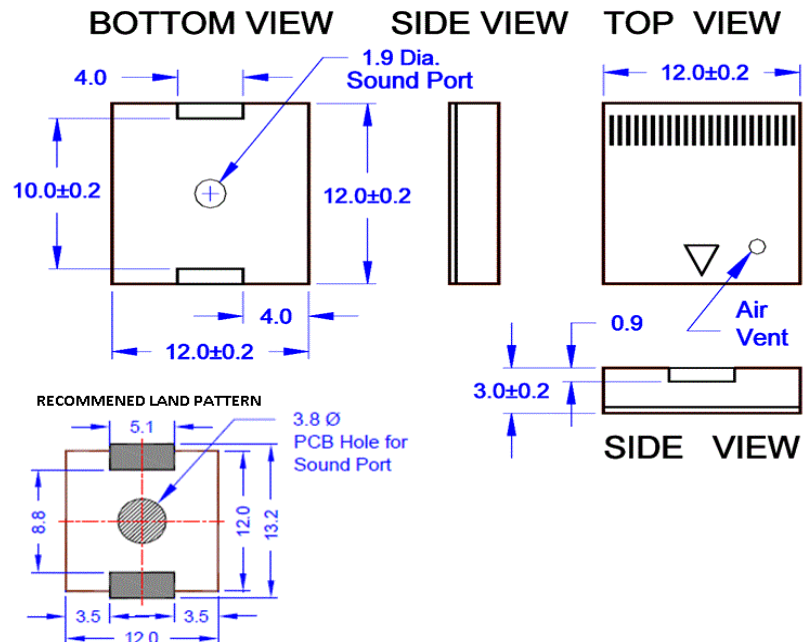
MATERIALS

Housing	Plastic, LCP Vectra E130i
Diaphragm	Ni Alloy Disc N42
Solder Pad	Tin Plated Brass

TEMPERATURE RANGES

Operating	-40 to +105 °C
Storage	-40 to +120 °C

Weight 0.8 g



Revision	Description	By	Date
2-2016	Revised SPL from '88 dB Typical' to '83 dB Minimum'	WS	2016-02-29
3-2019	Migrate to new format	JL	2019-06-21

Warranty: For a period of one (1) year from date of shipping under normal operations conditions This warranty does not apply to products damaged through misuse, abuse, improper installation, alteration, rework, or attempt to repair.