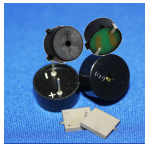


CT44P-28W370-2

Former P/N: CEPF4401135-328-37W140R

Rev. 1-2019
RoHS3 & REACH
Piezoelectric Sound Transducers



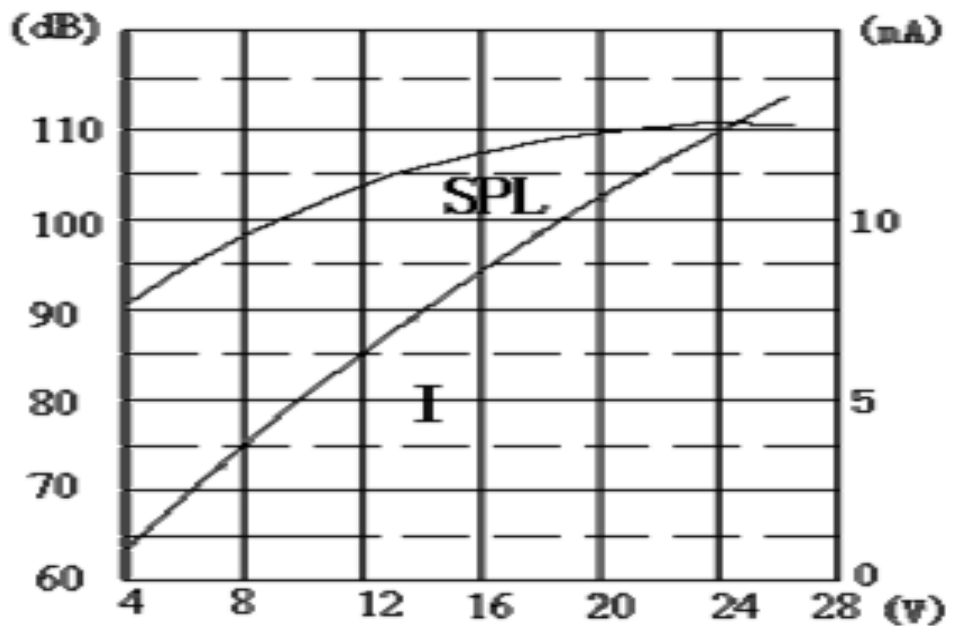
Operating Characteristics

ELECTRICAL

Rated Voltage	12 Vp-p
Max Operating Voltage	28 Vp-p
Max Current at V Rated	10 mA
Capacitance	17000 pF ± 30 % 1000 Hz

ACOUSTIC

Min SPL at V Rated	98 dB
Test Conditions	10 cm
f _o	3700 ± 500 Hz



Physical Characteristics

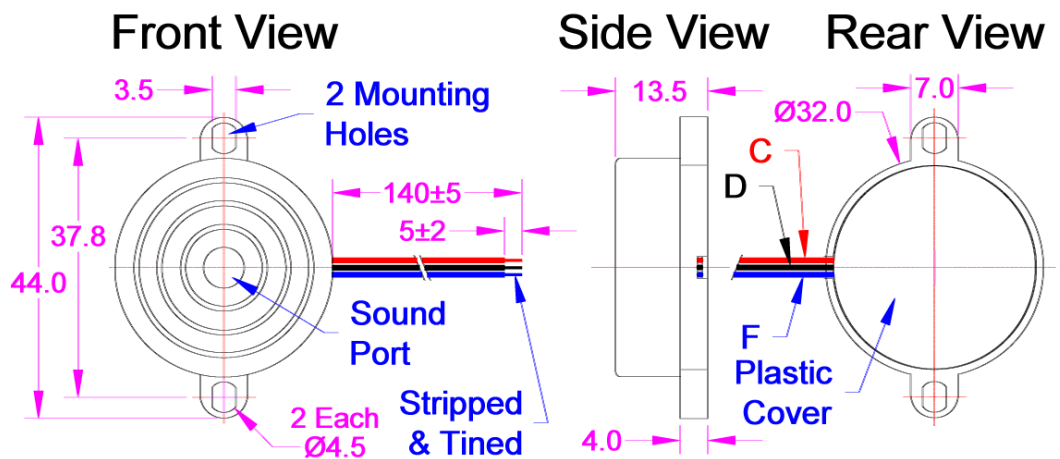
MATERIALS

Housing	ABS Black Plastic
Diaphragm	Brass
Wire	28 AWG, UL1059

TEMPERATURE RANGES

Operating	-20 to +60 °C
Storage	-30 to +70 °C

Weight	8 g
--------	-----



Revision	Description	By	Date
1-2019	Migrate to new format	WS	2019-06-21

Warranty: For a period of one (1) year from date of shipping under normal operations conditions This warranty does not apply to products damaged through misuse, abuse, improper installation, alteration, rework, or attempt to repair.