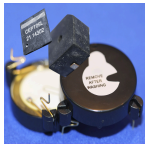


## CT25E-16T150-1

Former P/N: CEMT250B125-12C15PLR

Rev. 5-2019  
RoHS3 & REACH  
Electromagnetic Sound Transducers



### Operating Characteristics

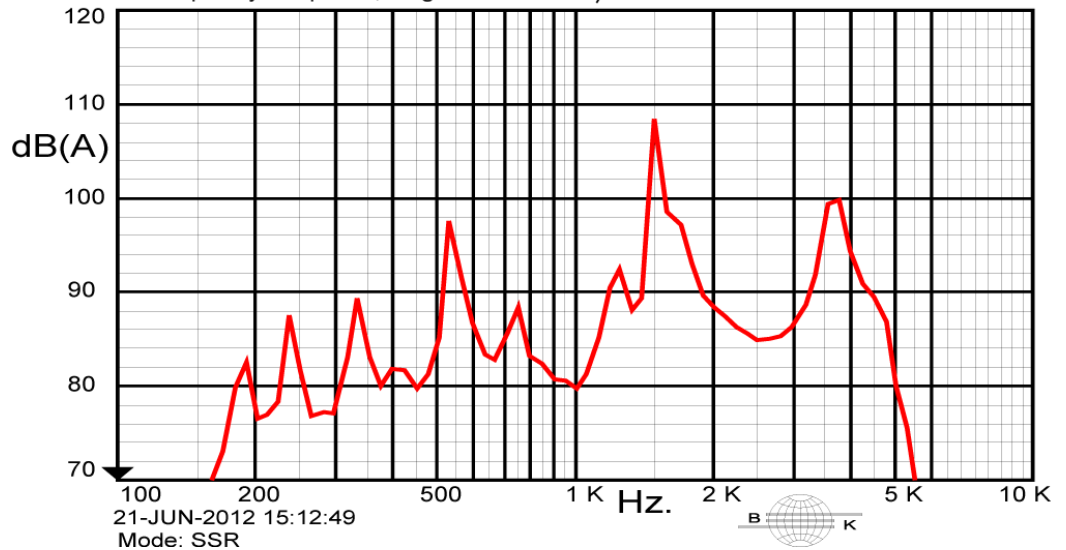
#### ELECTRICAL

Rated Voltage	12.0 Vo-p
Operating Voltage	8.0 to 16.0 Vo-p
Coil Resistance	120 ± 12 Ω
Max Current at V Rated	55 mA

#### ACOUSTIC

Min SPL at V Rated	104 dB
Test Conditions	10 cm
f <sub>o</sub>	1500 ± 15 Hz

X: 100 Hz. \*Y: 56.8 dB ZA: Live Curve SSR T.Ha.  
A: Frequency Response, Magn dB re 20.00 μPa/V



### Physical Characteristics

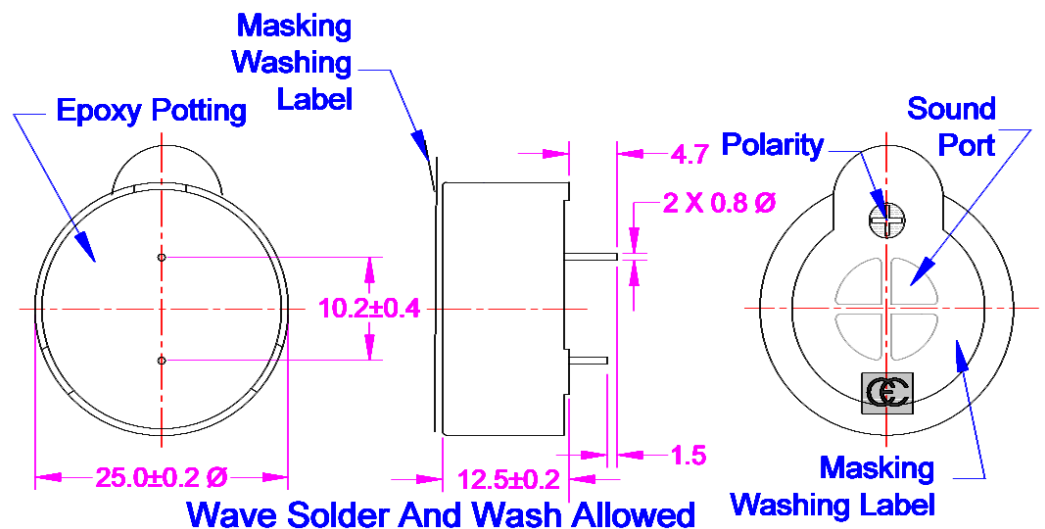
#### MATERIAL

Housing	Noryl
Diaphragm	Ni-alloy
PC Pin	Tin Plated Brass

#### TEMPERATURE RANGES

Operating	-40 to +85 °C
Storage	-40 to +85 °C

Weight 10 g



Revision	Description	By	Date
5-2019	Migrate to new format	YK	2019-06-21

Warranty: For a period of two (2) years from date of shipping under normal operations conditions This warranty does not apply to products damaged through misuse, abuse, improper installation, alteration, rework, or attempt to repair.