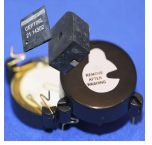


INDICATORS • SPEAKERS • SOUND TRANSDUCERS • ENCLOSURES • MICROPHONES • BATTERY ACCESSORIES

CT08E-05S210-1

Former P/N: CEET085N040-16-205-21MR

Rev. 2-2019
 RoHS3 & REACH
 Electromagnetic Sound Transducers



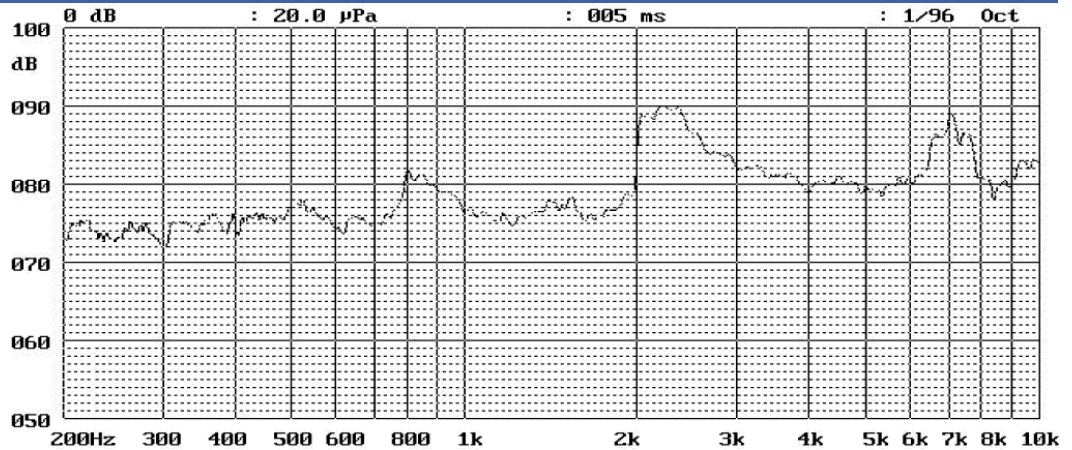
Operating Characteristics

ELECTRICAL

Rated Voltage	3.6 Vo-p
Operating Voltage	2 to 5 Vo-p
Coil Resistance	16 ± 3 Ω
Max Current at V Rated	90 mA

ACOUSTIC

Min SPL at V Rated	87 dB
Test Conditions	10 cm
f_o	2100



Physical Characteristics

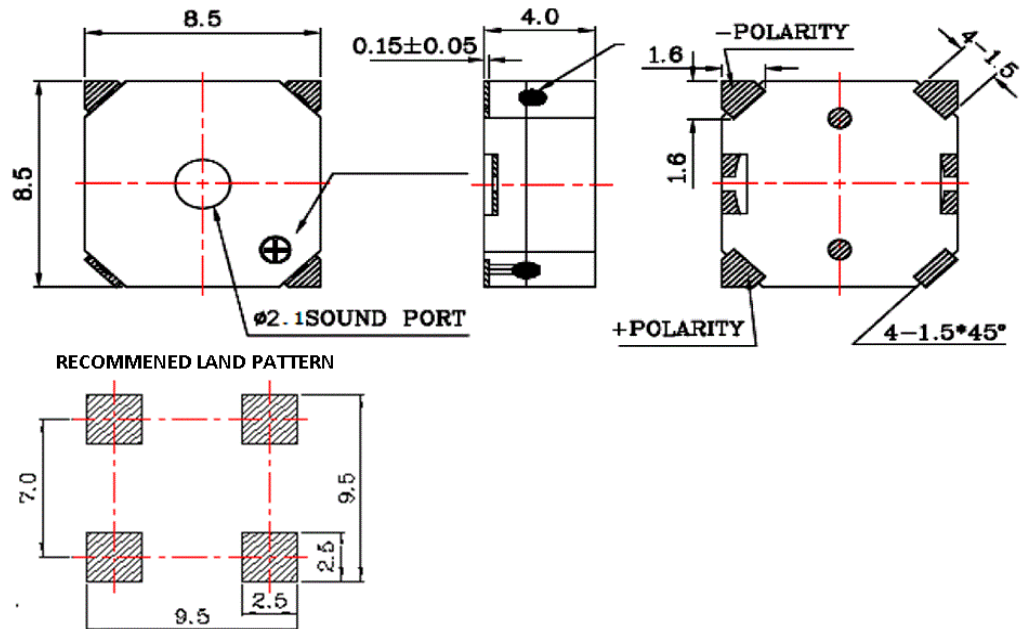
MATERIAL

Housing	LCP (Black)
Diaphragm	Iron-Nickel Alloy
Solder Pad	Tin Plated Brass

TEMPERATURE RANGES

Operating	-30 to +70 °C
Storage	-40 to +85 °C

Weight 0.8 g



Revision	Description	By	Date
1-2015	Revised SPL from 85 dB to 87 dB. Added termination material spec.	WS	2015-09-02
2-2019	Migrate to new format	JL	2019-06-21

Warranty: For a period of one (1) year from date of shipping under normal operations conditions This warranty does not apply to products damaged through misuse, abuse, improper installation, alteration, rework, or attempt to repair.