

INDICATORS • SPEAKERS • SOUND TRANSDUCERS • ENCLOSURES • MICROPHONES • BATTERY ACCESSORIES

CI45P-30E290-C-1

Former P/N: CI45PE-30290-C1

Rev. 1-2019
RoHS3 & REACH
Piezoelectric Indicators



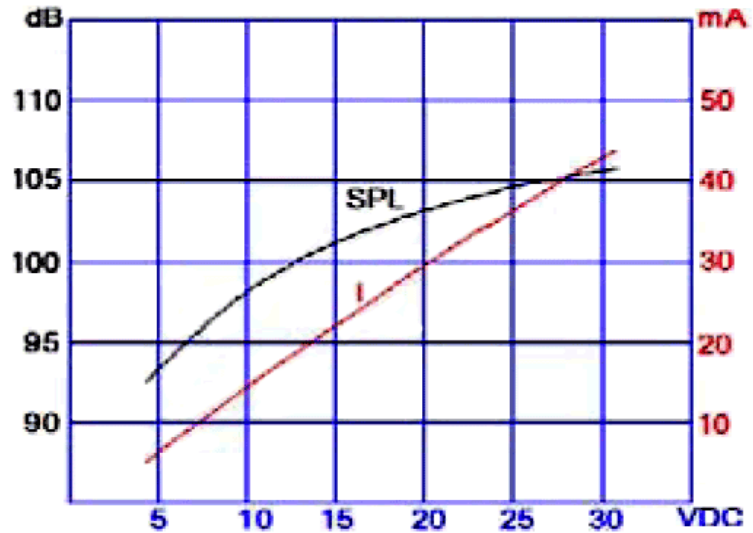
Operating Characteristics

ELECTRICAL

Rated Voltage	12 VDC
Operating Voltage	5 to 30 VDC
Max Current at Vmax	55 mA

ACOUSTIC

Tone Category	Continuous
Description	Steady
Center f	2900 ± 300 Hz
Min SPL at Vrated	98 dB
Test Conditions	61 cm



Physical Characteristics

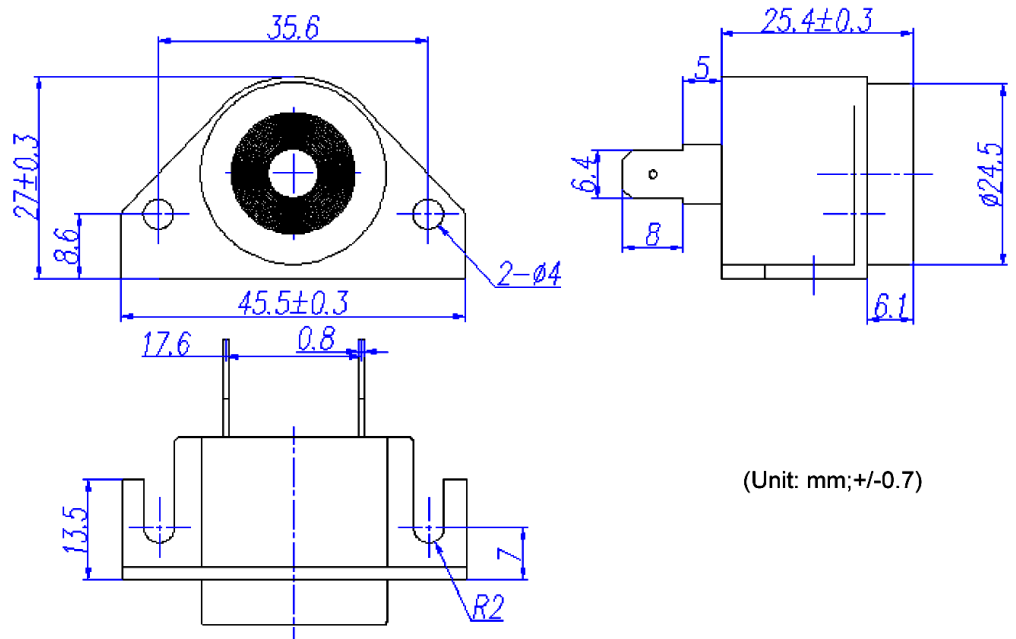
MATERIALS

Housing	Noryl
Diaphragm	Stainless Steel
Terminal	Brass, Electro-tin Plated

TEMPERATURE RANGES

Operating	-20 to +65 °C
Storage	-20 to +70 °C

Weight 17.2 g



(Unit: mm; +/-0.7)

Revision	Description	By	Date
0-2019	Initial Specification Sheet	JL	2019-01-31
1-2019	Migrate to new format	JL	2019-09-12

Warranty: For a period of one (1) year from date of shipping under normal operations conditions This warranty does not apply to products damaged through misuse, abuse, improper installation, alteration, rework, or attempt to repair.

The information contained herein is believed to be correct, but no guarantee or warranty, express or implied, with respect to accuracy, completeness or results is extended and no liability is assumed. Challenge Electronics reserves the right to make changes in any specification, data or material contained herein.