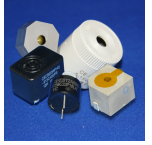


CI41P-20T280-C-1

Rev. 1-2020
RoHS3 & REACH
Piezoelectric Indicators



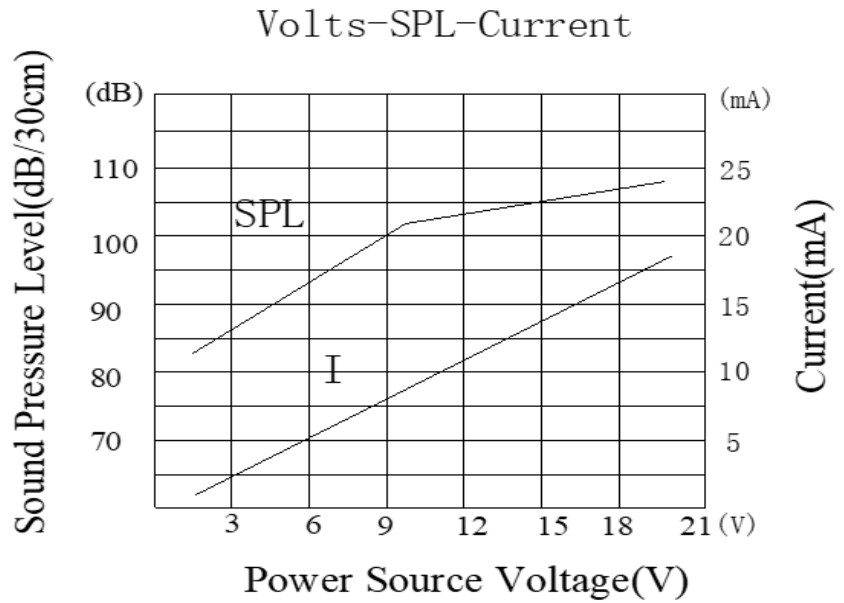
Operating Characteristics

ELECTRICAL

Rated Voltage	12 VDC
Operating Voltage	1.5 to 20 VDC
Max Current at Vmax	40 mA

ACOUSTIC

Tone Category	Continuous
Description	Steady
Center <i>f</i>	2800 ± 500 Hz
Min SPL at Vrated	100 dB
Test Conditions	30 cm



Physical Characteristics

MATERIALS

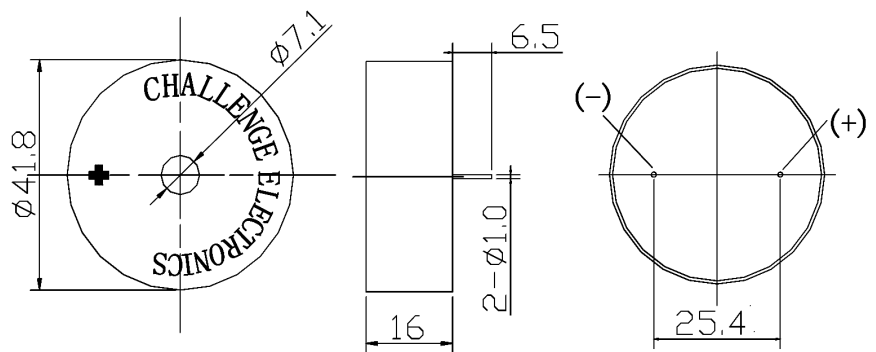
Housing	Black Noryl
Diaphragm	Brass
Through-hole Pins	Red Copper (DSn)

TEMPERATURE RANGES

Operating	-30 to +70 °C
Storage	-40 to +85 °C

Weight 15 g

Unless otherwise specified, tolerance: ±0.5(unit:mm)



Revision	Description	By	Date
0-2019	Initial specification	SP	2019-12-18
1-2020	Updated mechanical drawing with Challenge Electronics print. Updated max current at max voltage from 20 mA to 40 mA.	JL	2020-04-29

Warranty: For a period of one (1) year from date of shipping under normal operations conditions This warranty does not apply to products damaged through misuse, abuse, improper installation, alteration, rework, or attempt to repair.

The information contained herein is believed to be correct, but no guarantee or warranty, express or implied, with respect to accuracy, completeness or results is extended and no liability is assumed. Challenge Electronics reserves the right to make changes in any specification, data or material contained herein.