

INDICATORS • SPEAKERS • SOUND TRANSDUCERS • ENCLOSURES • MICROPHONES • BATTERY ACCESSORIES

CI36P-50E290-P-6X

Former P/N: CE-BM550AVQS

Rev. 6-2019
RoHS3 & REACH & 300 HR ASTM B117 & IP65
Piezoelectric Indicators



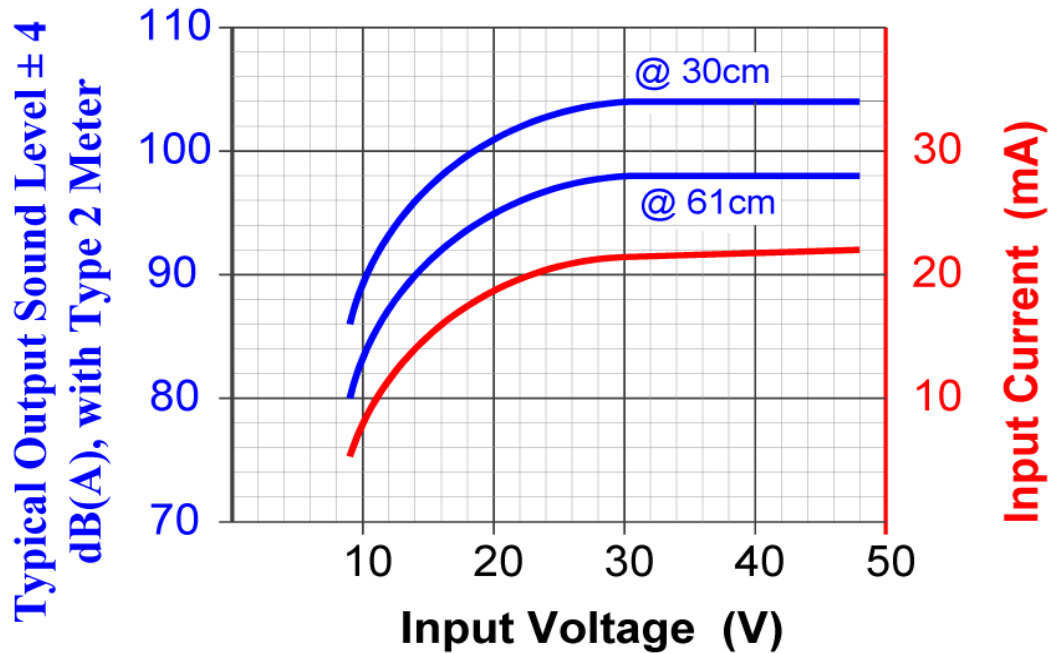
Operating Characteristics

ELECTRICAL

Rated Voltage	36/48 VDC
Operating Voltage	15 to 50 VDC
Max Current at Vmax	25 mA

ACOUSTIC

Tone Category	Pulsating
Description	Intermittent
Center <i>f</i>	2900 ± 250 Hz
Pulse <i>f</i>	1 Hz ± 10 %
Min SPL at Vmin	85 dB
Min SPL at Vmax	95 dB
Test Conditions	61 cm



Physical Characteristics

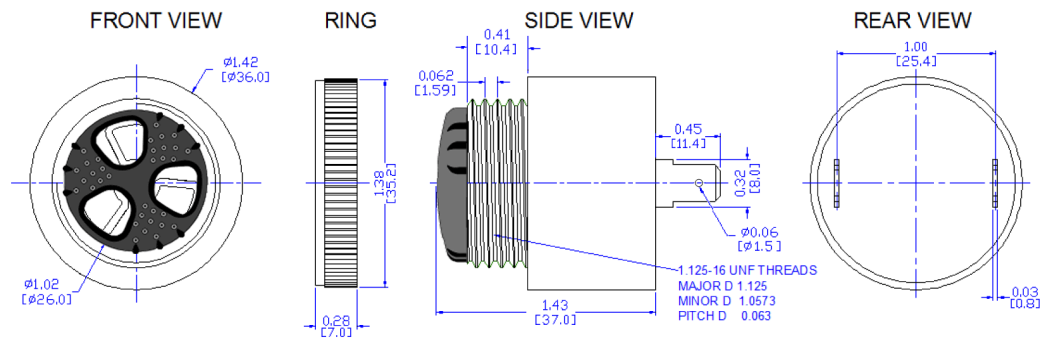
MATERIALS

Housing	Noryl PX9406
Diaphragm	Stainless Steel
Terminal	Electro Tin Plated Brass

TEMPERATURE RANGES

Operating	-30 to +65 °C
Storage	-40 to +105 °C

Weight 37 g



Revision	Description	By	Date
5-2018	Updated Dimensional Drawing pin length from 10.9 mm to 11.4 mm.	JL	2018-01-05
6-2019	Migrate to new format	JL	2019-06-21

Warranty: For a period of two (2) years from date of shipping under normal operations conditions This warranty does not apply to products damaged through misuse, abuse, improper installation, alteration, rework, or attempt to repair.

The information contained herein is believed to be correct, but no guarantee or warranty, express or implied, with respect to accuracy, completeness or results is extended and no liability is assumed. Challenge Electronics reserves the right to make changes in any specification, data or material contained herein.