

INDICATORS • SPEAKERS • SOUND TRANSDUCERS • ENCLOSURES • MICROPHONES • BATTERY ACCESSORIES

CI36P-30E290-P-38X

Former P/N: CE-BM631AVQF

 Rev. 7-2020
 RoHS3 & REACH
 300 HR ASTM B117 & IP65
 Piezoelectric Indicators


Operating Characteristics

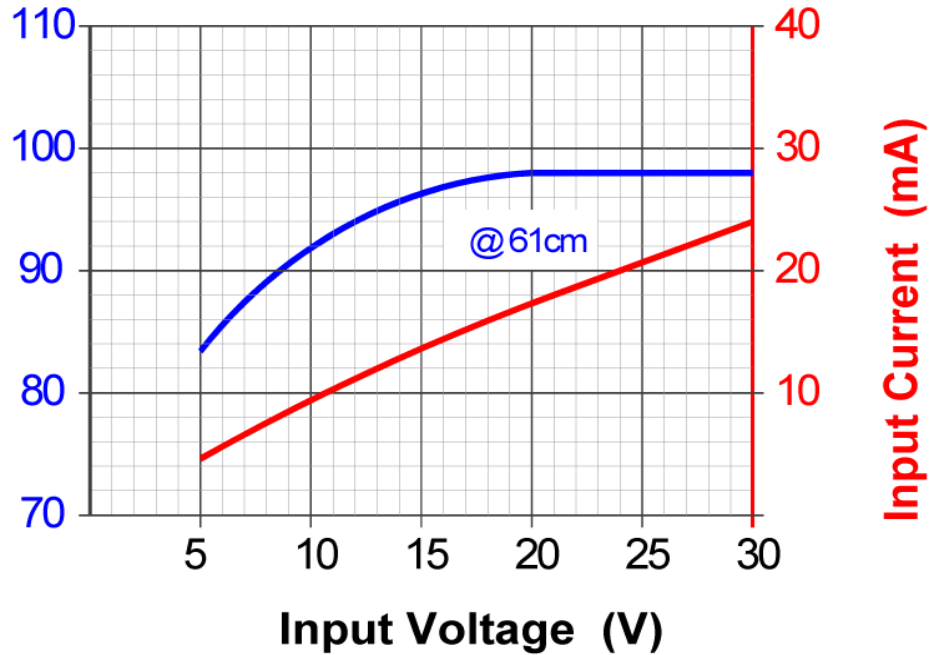
ELECTRICAL

Rated Voltage	24 V AC/DC
Operating Voltage	6 to 30 V AC/DC
Max Current at Vmax	25 mA

ACOUSTIC

Tone Category	Pulsating
Description	Intermittent
Center f	2900 \pm 250 Hz
Pulse f	3 Hz \pm 10 %
Min SPL at Vmin	80 dB
Min SPL at Vmax	95 dB
Test Conditions	61 cm

**Typical Output Sound Level \pm 4
dB(A), with Type 2 Meter**



Physical Characteristics

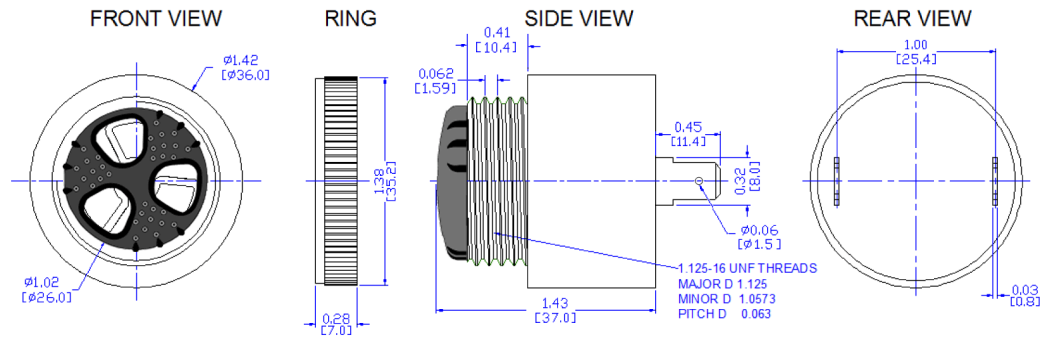
MATERIALS

Housing	Noryl PX9406
Diaphragm	Stainless Steel
Terminal	Electro Tin Plated Brass

TEMPERATURE RANGES

Operating	-30 to +65 °C
Storage	-40 to +100 °C

Weight 37 g



Revision	Description	By	Date
6-2019	Migrate to new format	YK	2019-06-21
7-2020	Fix document error. Change Voltage Type from VDC to V AC/DC	WS	2020-06-22

Warranty: For a period of two (2) years from date of shipping under normal operations conditions This warranty does not apply to products damaged through misuse, abuse, improper installation, alteration, rework, or attempt to repair.

The information contained herein is believed to be correct, but no guarantee or warranty, express or implied, with respect to accuracy, completeness or results is extended and no liability is assumed. Challenge Electronics reserves the right to make changes in any specification, data or material contained herein.