

INDICATORS • SPEAKERS • SOUND TRANSDUCERS • ENCLOSURES • MICROPHONES • BATTERY ACCESSORIES

CI36P-30E290-C-2X

Former P/N: CE-CX330AVQ

Rev. 4-2019
RoHS3 & REACH & 300 HR ASTM B117 & IP65
Piezoelectric Indicators



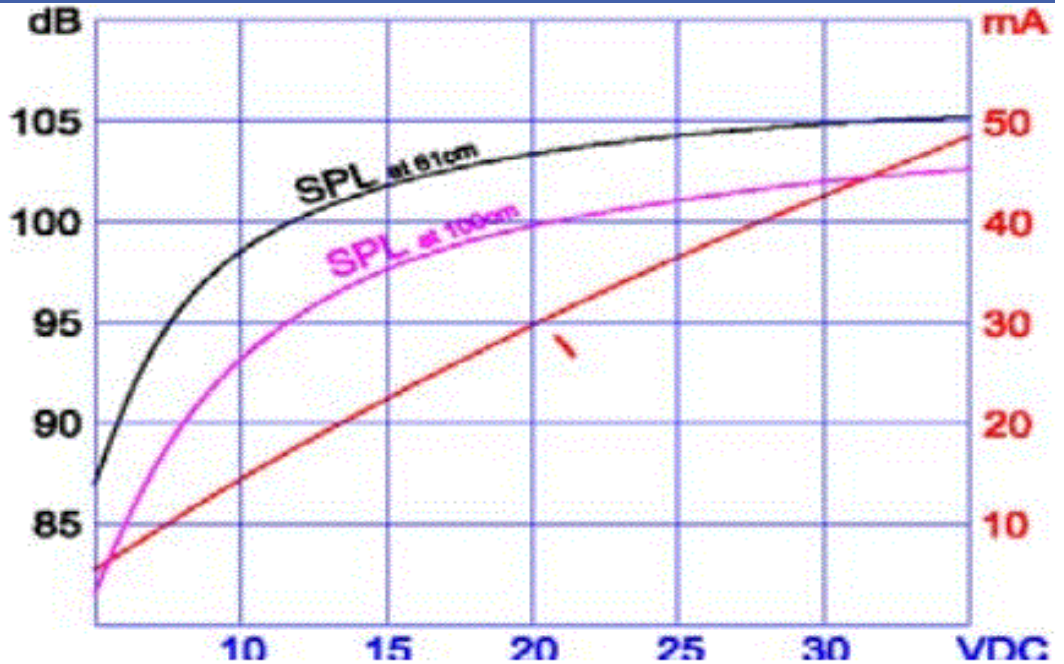
Operating Characteristics

ELECTRICAL

Rated Voltage	24 VDC
Operating Voltage	3 to 30 VDC
Max Current at Vmax	50 mA

ACOUSTIC

Tone Category	Continuous
Description	Steady
Center f	2900 ± 500 Hz
Min SPL at Vmin	80 dB
Min SPL at Vmax	100 dB
Test Conditions	61 cm



Physical Characteristics

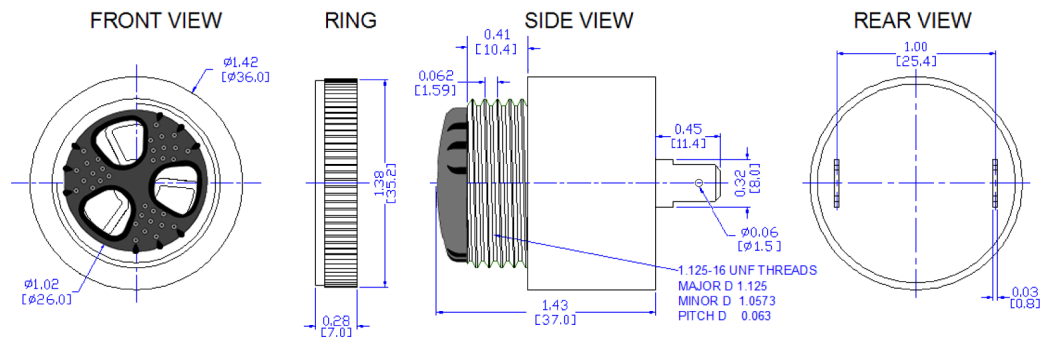
MATERIALS

Housing	Noryl PX9406
Diaphragm	Stainless Steel
Terminal	Electro-Tin Plated Brass

TEMPERATURE RANGES

Operating	-30 to +65 °C
Storage	-40 to +105 °C

Weight 37 g



Revision	Description	By	Date
4-2019	Migrate to new format	YK	2019-06-21

Warranty: For a period of two (2) years from date of shipping under normal operations conditions This warranty does not apply to products damaged through misuse, abuse, improper installation, alteration, rework, or attempt to repair.

The information contained herein is believed to be correct, but no guarantee or warranty, express or implied, with respect to accuracy, completeness or results is extended and no liability is assumed. Challenge Electronics reserves the right to make changes in any specification, data or material contained herein.
©2019 Challenge Electronics, Inc. 20190826153137