

# CI36P-30E290-C-12X

Former P/N: CE-CM530AVQ

 Rev. 6-2019  
 RoHS3 & REACH & 300 HR ASTM B117 & IP65  
 Piezoelectric Indicators

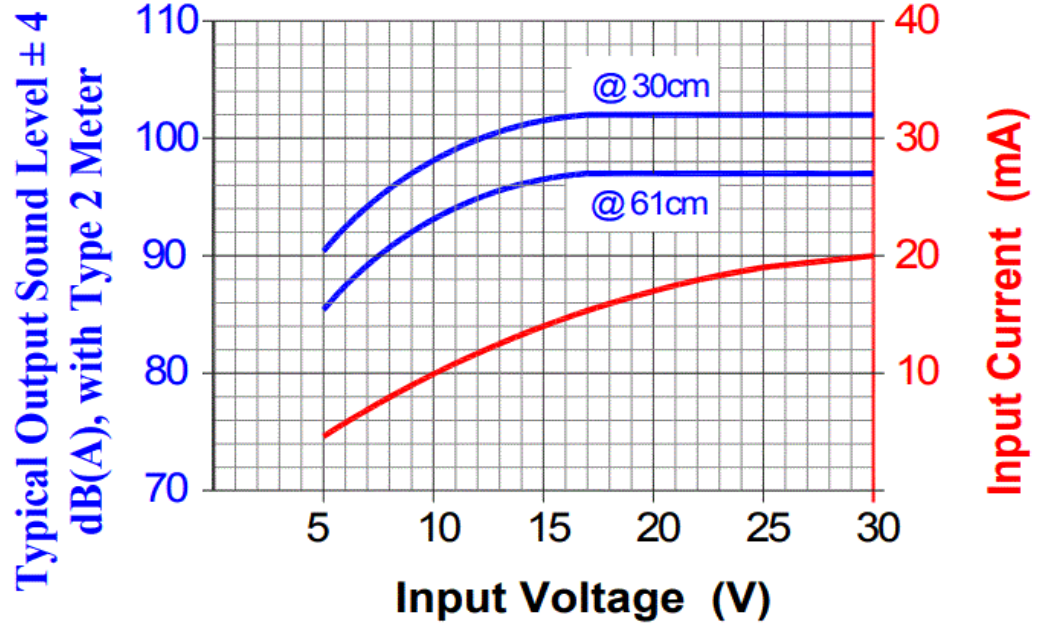

## Operating Characteristics

### ELECTRICAL

Rated Voltage	24 VDC
Operating Voltage	5 to 30 VDC
Max Current at Vmax	25 mA

### ACOUSTIC

Tone Category	Continuous
Description	Steady
Center <i>f</i>	2900 ± 250 Hz
Min SPL at Vmin	73 dB
Min SPL at Vmax	97 dB
Test Conditions	61 cm



## Physical Characteristics

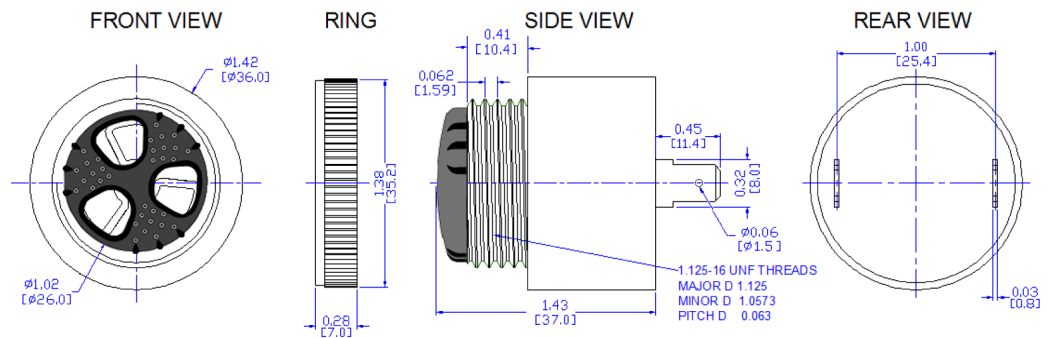
### MATERIALS

Housing	Noryl PX9406
Diaphragm	Stainless Steel
Terminal	Electro-Tin Plated Brass

### TEMPERATURE RANGES

Operating	-30 to +65 °C
Storage	-40 to +100 °C

Weight 37 g



Revision	Description	By	Date
6-2019	Migrate to new format	YK	2019-06-21

Warranty: For a period of two (2) years from date of shipping under normal operations conditions This warranty does not apply to products damaged through misuse, abuse, improper installation, alteration, rework, or attempt to repair.