

## CI35P-30E240-C-9

Former P/N: CECD-CL630F24L

Rev. 7-2019  
RoHS3 & REACH  
Piezoelectric Indicators



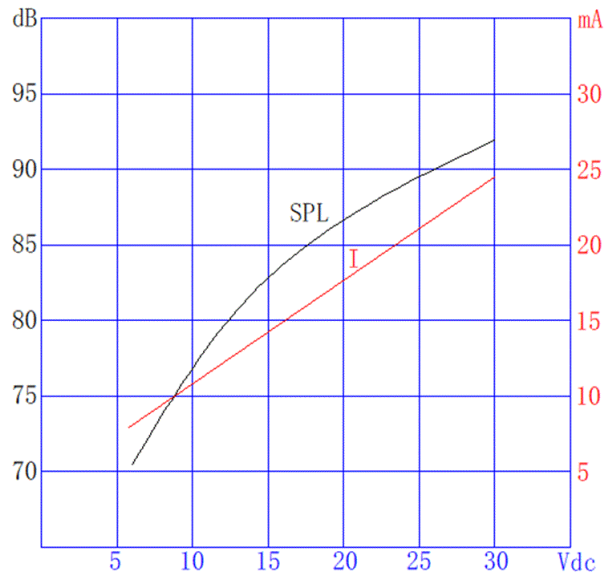
### Operating Characteristics

#### ELECTRICAL

Rated Voltage	12 VDC
Operating Voltage	6 to 30 VDC
Max Current at Vmax	35 mA

#### ACOUSTIC

Tone Category	Continuous
Description	Steady
Center $f$	2400 $\pm$ 50 Hz
Min SPL at Vmin	71 dB
Min SPL at Vmax	88 dB
Test Conditions	61 cm



### Physical Characteristics

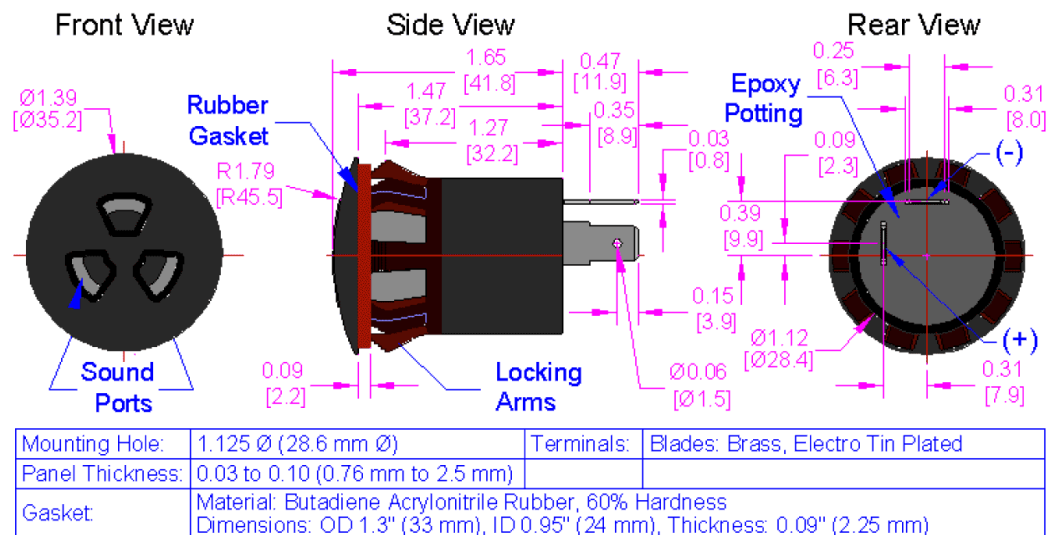
#### MATERIALS

Housing	MPPO
Diaphragm	Stainless Steel
Terminal	Electro-Tin Plated Brass

#### TEMPERATURE RANGES

Operating	-30 to +70 °C
Storage	-40 to +100 °C

Weight 23 g



Revision	Description	By	Date
6-2018	Updated mechanical drawing (pin length) from 14.0 mm to 11.9 mm, changed "Alarm making" to "Alarm marking", updated Supplier Part Number from CECD-CL630F24L R-5 to CECD-CL630F24L R-6.	JL	2018-01-04
7-2019	Migrate to new format. Updated min SPL at min voltage from 76 dB to 71 dB and min SPL at max voltage from 95 dB to 88 dB.	JL	2019-08-30

Warranty: For a period of two (2) years from date of shipping under normal operations conditions This warranty does not apply to products damaged through misuse, abuse, improper installation, alteration, rework, or attempt to repair.

The information contained herein is believed to be correct, but no guarantee or warranty, express or implied, with respect to accuracy, completeness or results is extended and no liability is assumed. Challenge Electronics reserves the right to make changes in any specification, data or material contained herein.