

## CI35P-16W240-C-1X

Former P/N: CE-CU516F24W

Rev. 5-2019  
RoHS3 & REACH & 300 HR ASTM B117 & IP65  
Piezoelectric Indicators

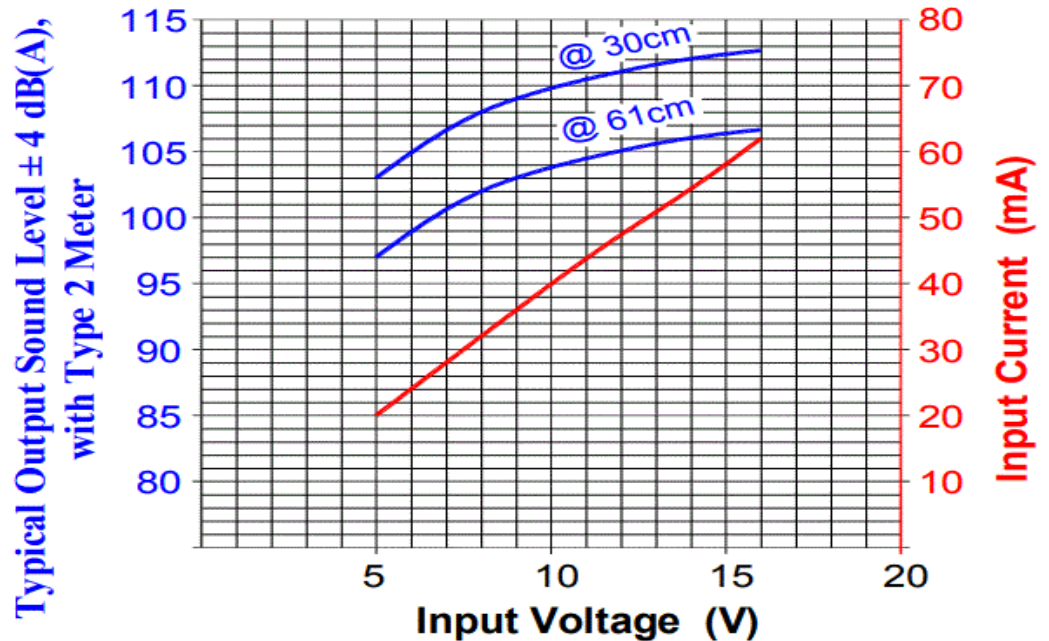


### Operating Characteristics

ELECTRICAL	
Rated Voltage	12 VDC
Operating Voltage	5 to 16 VDC
Max Current at Vmax	70 mA

ACOUSTIC	
Tone Category	Continuous
Description	Steady
Center <i>f</i>	2400 ± 250 Hz
Min SPL at Vmin	92 dB
Min SPL at Vmax	103 dB
Test Conditions	61 cm



### Physical Characteristics

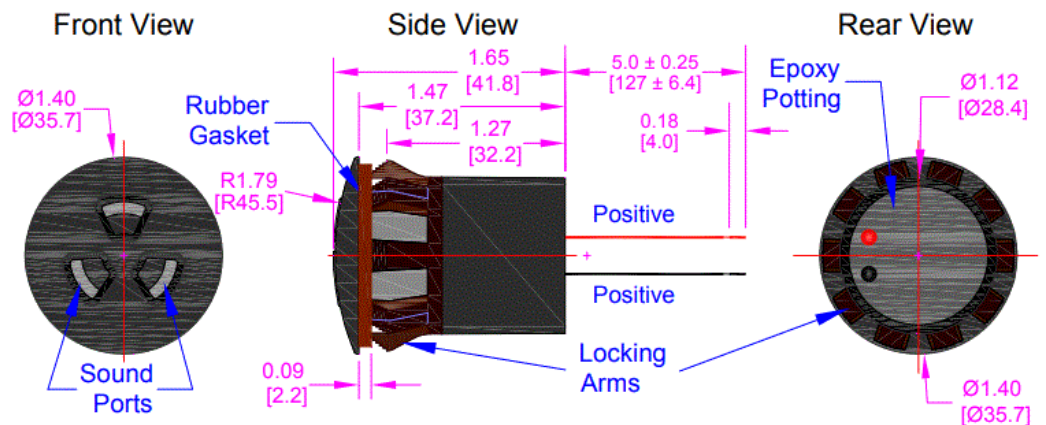
MATERIALS	
Housing	MPPO
Diaphragm	Stainless Steel
Wire	GLX Automotive, 18 AWG

TEMPERATURE RANGES	
Operating	-30 to +65 °C
Storage	-40 to +90 °C

Weight	37 g
--------	------



Revision	Description	By	Date
5-2019	Migrate to new format	CS	2019-06-21

Warranty: For a period of two (2) years from date of shipping under normal operations conditions This warranty does not apply to products damaged through misuse, abuse, improper installation, alteration, rework, or attempt to repair.

The information contained herein is believed to be correct, but no guarantee or warranty, express or implied, with respect to accuracy, completeness or results is extended and no liability is assumed. Challenge Electronics reserves the right to make changes in any specification, data or material contained herein.  
©2019 Challenge Electronics, Inc. 20190826153056