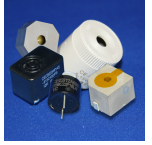


INDICATORS • SPEAKERS • SOUND TRANSDUCERS • ENCLOSURES • MICROPHONES • BATTERY ACCESSORIES

CI23P-20T290-C-1

Former P/N: CPB23C12-2.9R

Rev. 2-2019
RoHS3 & REACH
Piezoelectric Indicators



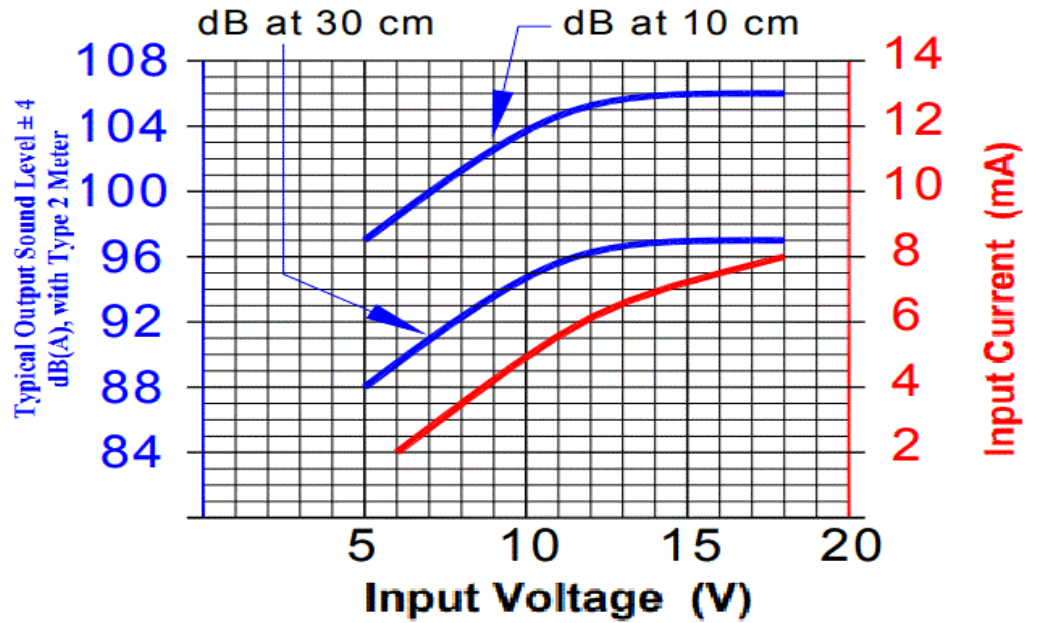
Operating Characteristics

ELECTRICAL

| | |
|---------------------|-------------|
| Rated Voltage | 12 VDC |
| Operating Voltage | 3 to 20 VDC |
| Max Current at Vmax | 10 mA |

ACOUSTIC

| | |
|-------------------|-------------------|
| Tone Category | Continuous |
| Description | Steady |
| Center f | 2900 \pm 500 Hz |
| Min SPL at Vrated | 88 dB |
| Test Conditions | 30 cm |



Physical Characteristics

MATERIALS

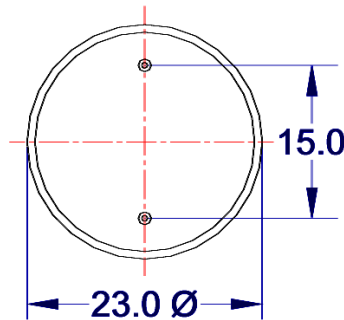
| | |
|-----------|--------------|
| Housing | Noryl PX9406 |
| Diaphragm | Brass |
| PC Pin | Brass |

TEMPERATURE RANGES

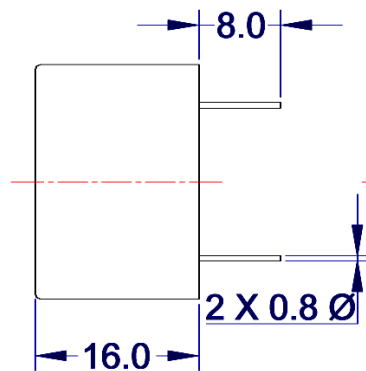
| | |
|-----------|---------------|
| Operating | -40 to +85 °C |
| Storage | -40 to +90 °C |

Weight 3.7 g

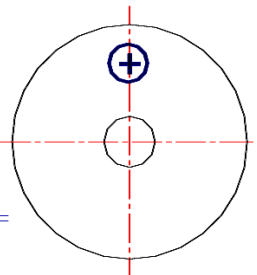
BOTTOM VIEW



SIDE VIEW



TOP VIEW



| Revision | Description | By | Date |
|----------|-----------------------|----|------------|
| 1-2011 | update spec | EZ | 2011-00-00 |
| 2-2019 | migrate to new format | JL | 2019-06-25 |

Warranty: For a period of one (1) year from date of shipping under normal operations conditions This warranty does not apply to products damaged through misuse, abuse, improper installation, alteration, rework, or attempt to repair.

The information contained herein is believed to be correct, but no guarantee or warranty, express or implied, with respect to accuracy, completeness or results is extended and no liability is assumed. Challenge Electronics reserves the right to make changes in any specification, data or material contained herein.