

CI13E-07S240-C-5

Former P/N: CEMB128M070-05C24MLR

Rev. 3-2021
RoHS3 & REACH
Electromagnetic Indicators



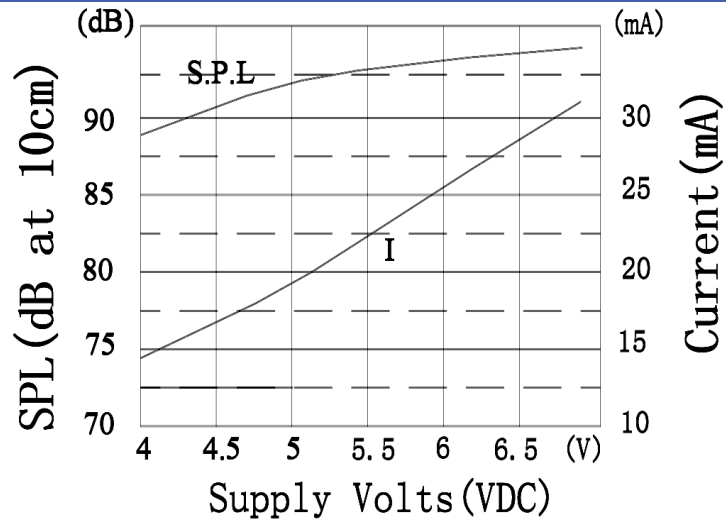
Operating Characteristics

ELECTRICAL

Rated Voltage	5 VDC
Operating Voltage	4 to 7 VDC
Max Current at Vrated	30 mA

ACOUSTIC

Tone Category	Continuous
Description	Steady
Center <i>f</i>	2400 ± 100 Hz
Min SPL at Vrated	88 dB
Test Conditions	10 cm



Physical Characteristics

MATERIALS

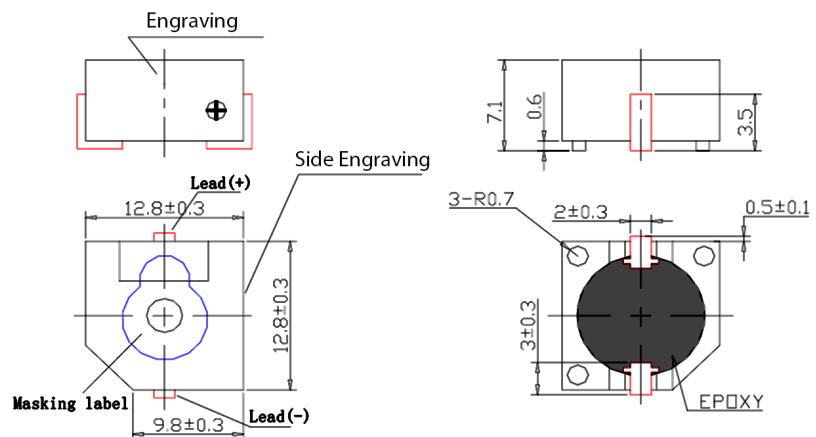
Housing	Plastic
Diaphragm	Ni Alloy
Solder Pad	Brass

TEMPERATURE RANGES

Operating	-40 to +85 °C
Storage	-40 to +85 °C

Weight 2 g

Unless otherwise specified, tolerance: ± 0.5 (unit: mm)



All Measurements are mm unless noted otherwise.

Revision	Description	By	Date
2-2021	Updated SPL Current response curve. Updated mechanical drawing. Added reflow profile, pad layout, and packaging diagram. Updated temperature ranges to -40 to 85 from -30 to 85 and -40 to 90. Updated weight from 2.2g to 2g.	CT	2021-08-25
3-2021	Updated mechanical drawing. Updated SPL curve. Updated Min SPL at rated from 85dB to 88dB. Reduced resonant frequency tolerance to ±100Hz from ±400Hz. Updated housing material callout from PPS A7-03A to Plastic.	CT	2021-09-28

Warranty: For a period of one (1) year from date of shipping under normal operations conditions. This warranty does not apply to products damaged through misuse, abuse, improper installation, alteration, rework, or attempt to repair.