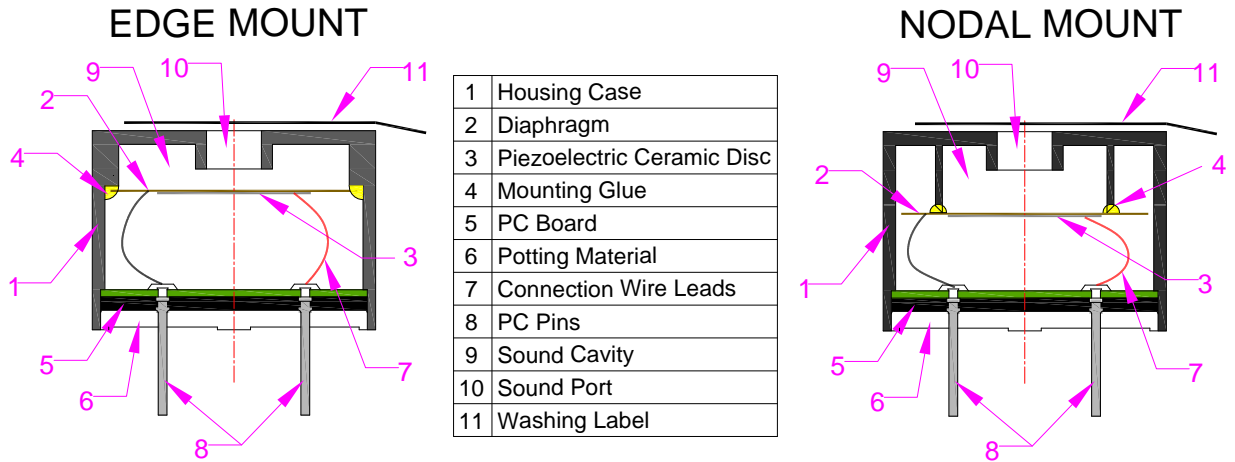




AN-PTA-13-111 Rev. 2-2014

Piezoelectric Transducers Application

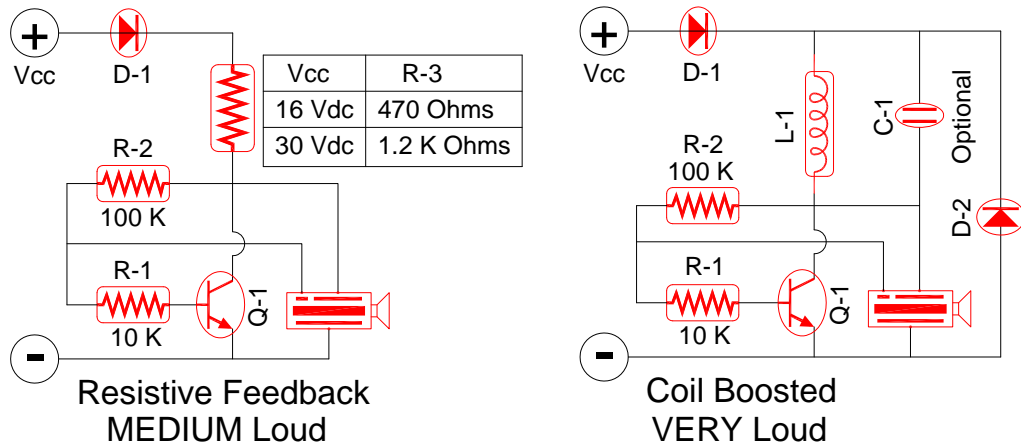
A. Typical Construction



B. Typical Circuit Drive Application

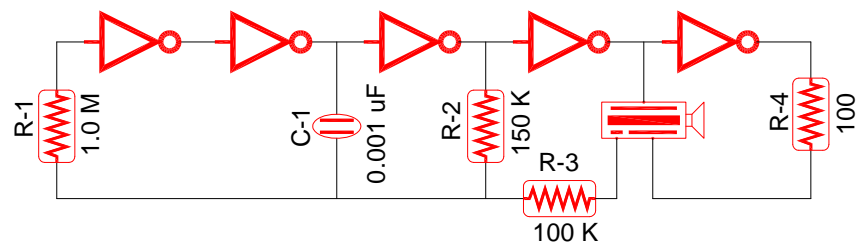
a. Feedback Drive Circuits

FEEDBACK DRIVE CIRCUITS



Resistive Feedback
MEDIUM Loud

Coil Boosted
VERY Loud

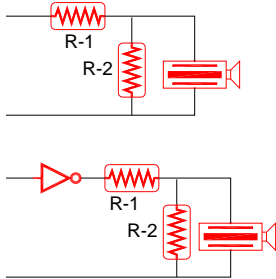


CD-4049, CMOS Voltage Doubler, LOUD

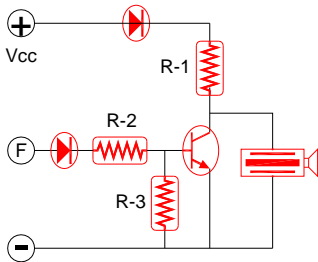


b. Direct Drive Circuits

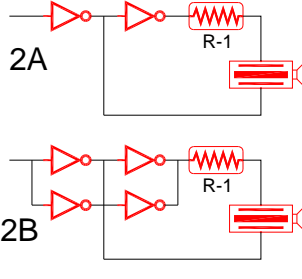
For maximum Sound Pressure adjust frequency as close to the Resonant Frequency of the Piezoelectric Transducer



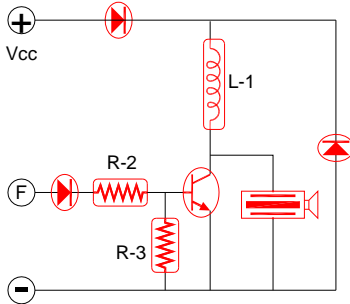
LOW SPL, PUSH
 1A) Resistive Drive
 1B) CMOS Drive



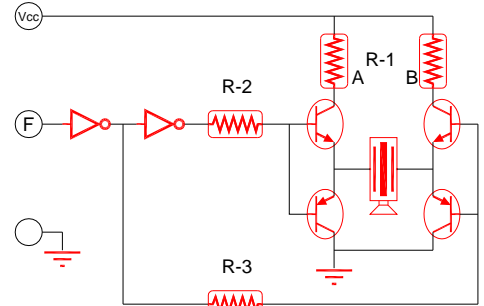
4) MEDIUM LOUD



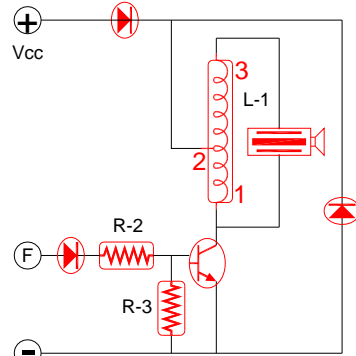
MEDIUM LOUD
 2A) CMOS, Push-Pull
 2B) CMOS, Current Boost



5) EXTRA LOUD with Coil Boost



3) LOUD, Push-Pull, Transistor



6) ULTRA LOUD with Auto Transformer Boost