



PRODUCT INFORMATION



PART # **CI127SW-36124-PM1**
BACKUP ALARM

Revision: 0-2018

DESCRIPTION

Challenge Electronics Indicator; **127** mm Length; **Speaker Assembly**; **Wire Termination**; **36** Vdc Maximum Voltage; **1,240** Hz. Resonant Frequency; **Pulsating Tone**; **Smart(M)** Technology; **Version 1**

FEATURES

- Flame Retardant Plastic
- RoHS, Lead Free REACH (SVHC) Compliant
- ISO 9001 Certified

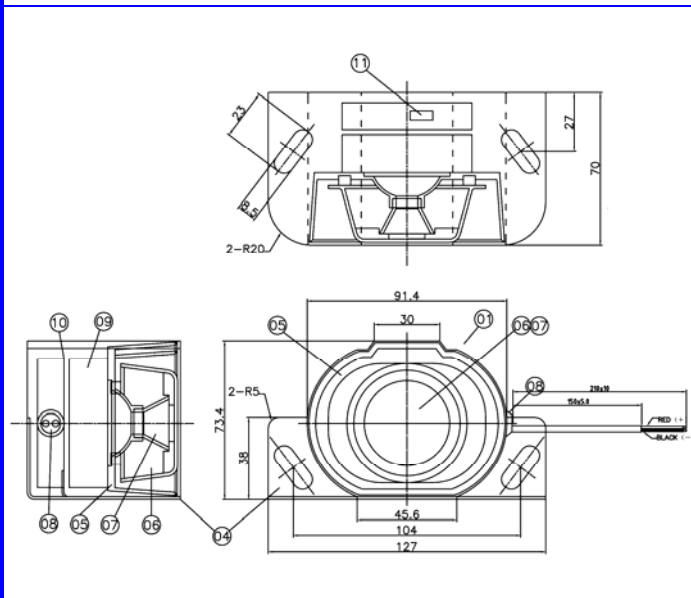


SPECIFICATIONS

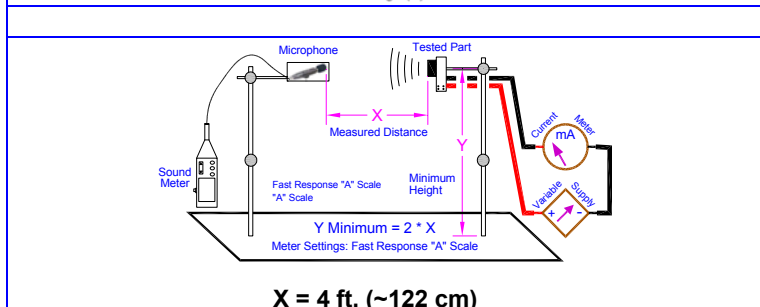
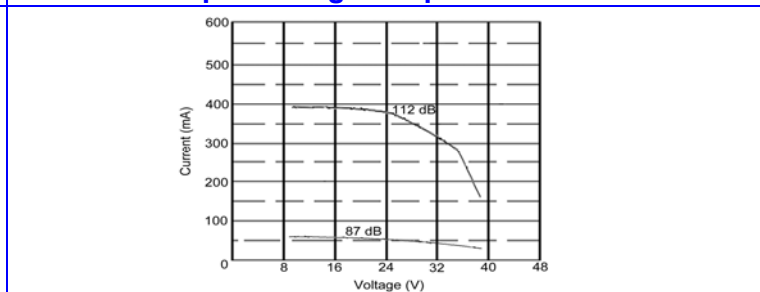
Alarm Type	Pulsating Tone	Sound Frequency	1,240 Hz. ± 10%	Cycle Rate	0.85 Cycles per Second			
Operating Voltage	12 - 36 Vdc	Rated Voltage	28 Vdc					
Sound Pressure Level	Minimum (87/112) ± 4 dB(A) at 4 ft.							
Operating Current	Maximum 600 mA							
Operating Temperature	-40°C to +85°C	Storage Temperature	-40°C to +85°C					
Material	Housing	Nylon			Sound Port Opening	Side		
	Termination	Wire Leads						
Physical Dimensions	Length (L)	127 mm	Width (W)	70 mm	Height	73.4 mm	Mounting Screws Spacing	104 mm
Approximate Weight	750 grams ± 10%	Removable Washing Label	No	Compliance	RoHS, Lead Free, and REACH (SVHC)			
Options								

Warranty For a period of one (1) year from date of shipping under normal operations conditions
This warranty does not apply to products damaged through misuse, abuse, improper installation, alteration, rework, or attempt to repair

DIMENSIONS Units in: mm Tolerance: ± 1.0 mm



Current vs. Input Voltage Response



SUBSTANCE OF VERY HIGH CONCERN (REACH) and RoHS LEAD FREE COMPLIANCE

This product does NOT contain any of the REACH Substances of Very High Concern (SVHC), and complies with European Union REACH Regulation No.1907/2006 regarding chemical substances that must be registered and disclosed

Lead (Pb) / Lead Compounds	≤1,000 ppm	≤ 10,000 ppm	Poly Brominated Diphenyl Ethers (PBDE)	≤1,000 ppm	In compliance
Mercury (Hg) / Mercury Compounds	≤1,000 ppm	In compliance	Bis (2-Ethylhexyl) Phthalate (DEHP)	≤1,000 ppm	In compliance
Cadmium (Cd) / Cadmium Compounds	≤ 100 ppm	In compliance	Butyl Benzyl Phthalate (BBP)	≤1,000 ppm	In compliance
Hexavalent Chromium (Cr VI)	≤1,000 ppm	In compliance	Dibutyl Phthalate (DBP)	≤1,000 ppm	In compliance

In Challenge Electronics role as Supplier, we have taken the necessary steps towards our China Manufacturing in order to get a written confirmation about their knowledge of the Regulation and their analysis of the impact on their company

Revision	Description	By	Date
0-2018	Initial Specification Sheet	JL	2018-06-18