



PRODUCT INFORMATION



PART #	CI127SW-36124-P1	Revision: 0-2018
BACKUP ALARM		

DESCRIPTION

Challenge Electronics Indicator; 127 mm Length; Speaker Assembly; Wire Termination; 36 Vdc Maximum Voltage; 1,240 Hz. Resonant Frequency; Pulsating Tone; Version 1

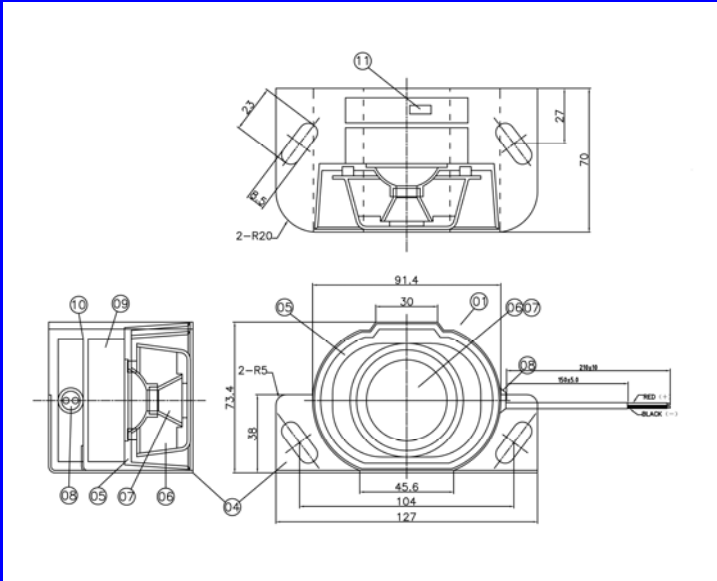
- FEATURES**
- RoHS, Lead Free REACH (SVHC) Compliant
 - ISO 9001 Certified

SPECIFICATIONS

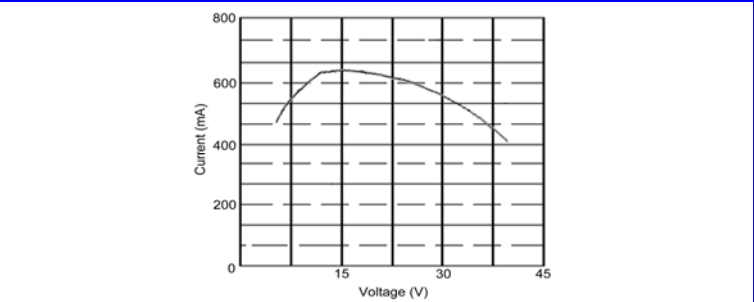
Alarm Type	Pulsating Tone	Sound Frequency	1,240 Hz ± 10%	Cycle Rate	0.85 Cycles per Second
Operating Voltage	12 - 36 Vdc	Rated Voltage	28 Vdc		
Sound Pressure Level	Minimum 112 ± 4 dB(A) at 4 ft.				
Operating Current	Maximum 800 mA				
Operating Temperature	-40°C to +85°C	Storage Temperature	-40°C to +85°C		
Material	Housing	Nylon		Sound Port Opening	Side
	Termination	Wire Leads			
Physical Dimensions	Length (L)	127 mm	Width (W)	70 mm	Height 73.4 mm
				Mounting Screws Spacing	104 mm
Approximate Weight	750 grams ± 10 %	Removable Washing Label	No	Compliance	RoHS, Lead Free, and REACH (SVHC)
Options					

Warranty For a period of one (1) year from date of shipping under normal operations conditions
This warranty does not apply to products damaged through misuse, abuse, improper installation, alteration, rework, or attempt to repair

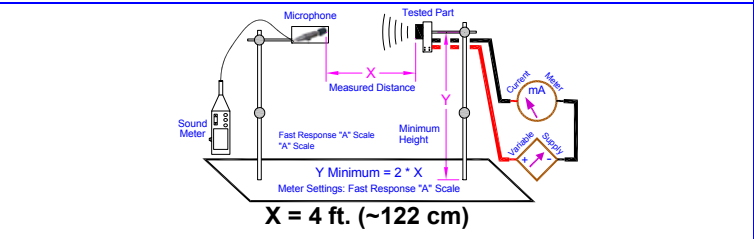
DIMENSIONS Units in: mm Tolerance: ± 1.0 mm



Current vs. Input Voltage Response



TEST SETUP



SUBSTANCE OF VERY HIGH CONCERN (REACH) and RoHS LEAD FREE COMPLIANCE

This product does NOT contain any of the REACH Substances of Very High Concern (SVHC), and complies with European Union REACH Regulation No.1907/2006 regarding chemical substances that must be registered and disclosed

Lead (Pb) / Lead Compounds	≤1,000 ppm	≤ 10,000 ppm	Poly Brominated Diphenyl Ethers (PBDE)	≤1,000 ppm	In compliance
Mercury (Hg) / Mercury Compounds	≤1,000 ppm	In compliance	Bis (2-Ethylhexyl) Phthalate (DEHP)	≤1,000 ppm	In compliance
Cadmium (Cd) / Cadmium Compounds	≤ 100 ppm	In compliance	Butyl Benzyl Phthalate (BBP)	≤1,000 ppm	In compliance
Hexavalent Chromium (Cr VI)	≤1,000 ppm	In compliance	Dibutyl Phthalate (DBP)	≤1,000 ppm	In compliance

In Challenge Electronics role as Supplier, we have taken the necessary steps towards our China Manufacturing in order to get a written confirmation about their knowledge of the Regulation and their analysis of the impact on their company

Revision	Description	By	Date
0-2018	Initial Specification Sheet	JL	2018-06-18