



PRODUCT INFORMATION



PART # **CI127SW-2450-V1**
BACKUP ALARM

Revision: 0-2018

DESCRIPTION
Challenge Electronics Indicator; 127.5 mm Length; Speaker Assembly; Wire Termination; 24 Vdc Maximum Voltage; 500 Hz. Resonant Frequency; Vocal Tone; Version 1

FEATURES

- Flame Retardant Plastic
- RoHS, Lead Free REACH (SVHC) Compliant
- ISO 9001 Certified

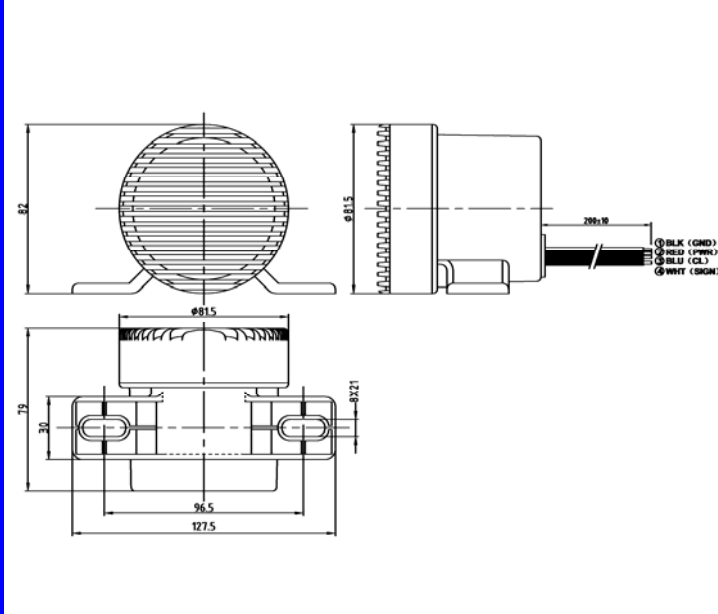


SPECIFICATIONS

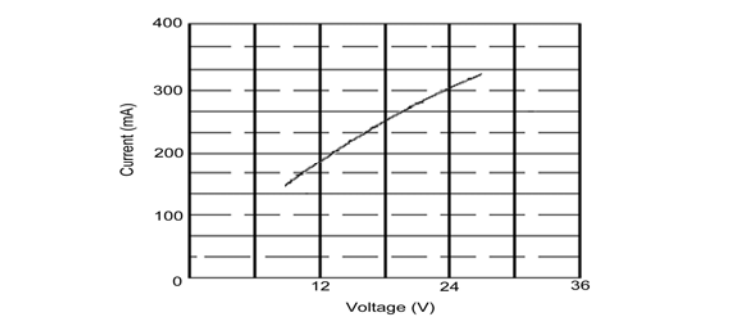
| | | | | | | | | |
|-----------------------|-------------------------------|-------------------------|-----------------|--------------------|-----------------------------------|-------|-------------------------|---------|
| Alarm Type | Vocal Tone | Sound Frequency | 500 – 7,000 Hz. | Cycle Rate | 0.35 ± 10% Cycles per Second | | | |
| Operating Voltage | 12 - 24 Vdc | Rated Voltage | 14 Vdc | | | | | |
| Sound Pressure Level | Minimum 92 ± 4 dB(A) at 4 ft. | | | | | | | |
| Operating Current | Maximum 600 mA | | | | | | | |
| Operating Temperature | -40°C to +85°C | Storage Temperature | -40°C to +85°C | | | | | |
| Material | Housing: Nylon | Termination | Wire Leads | Sound Port Opening | Side | | | |
| Physical Dimensions | Length(L) | 127.5 mm | Width (W) | 79 mm | Height (H) | 82 mm | Mounting Screws Spacing | 96.5 mm |
| Approximate Weight | 300 grams ± 10 % | Removable Washing Label | No | Compliance | RoHS, Lead Free, and REACH (SVHC) | | | |
| Options | | | | | | | | |

Warranty For a period of one (1) year from date of shipping under normal operations conditions
This warranty does not apply to products damaged through misuse, abuse, improper installation, alteration, rework, or attempt to repair

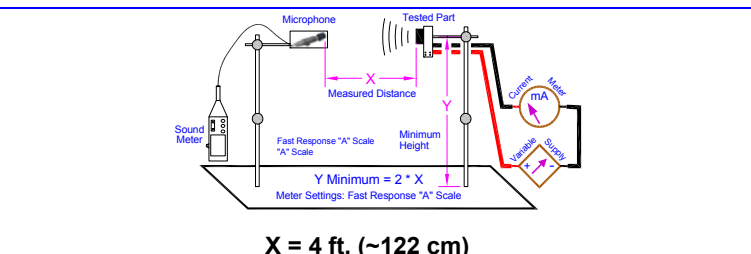
DIMENSIONS Units in: mm Tolerance: ± 1.0 mm



Current vs. Input Voltage Response



TEST SETUP



SUBSTANCE OF VERY HIGH CONCERN (REACH) and RoHS LEAD FREE COMPLIANCE

This product does NOT contain any of the REACH Substances of Very High Concern (SVHC), and complies with European Union REACH Regulation No.1907/2006 regarding chemical substances that must be registered and disclosed

| | | | | | |
|----------------------------------|------------|---------------|--|------------|---------------|
| Lead (Pb) / Lead Compounds | ≤1,000 ppm | ≤ 10,000 ppm | Poly Brominated Diphenyl Ethers (PBDE) | ≤1,000 ppm | In compliance |
| Mercury (Hg) / Mercury Compounds | ≤1,000 ppm | In compliance | Bis (2-Ethylhexyl) Phthalate (DEHP) | ≤1,000 ppm | In compliance |
| Cadmium (Cd) / Cadmium Compounds | ≤ 100 ppm | In compliance | Butyl Benzyl Phthalate (BBP) | ≤1,000 ppm | In compliance |
| Hexavalent Chromium (Cr VI) | ≤1,000 ppm | In compliance | Dibutyl Phthalate (DBP) | ≤1,000 ppm | In compliance |

In Challenge Electronics role as Supplier, we have taken the necessary steps towards our China Manufacturing in order to get a written confirmation about their knowledge of the Regulation and their analysis of the impact on their company

| Revision | Description | By | Date |
|----------|-----------------------------|----|------------|
| 0-2018 | Initial Specification Sheet | JL | 2018-06-18 |
| | | | |