



# PRODUCT INFORMATION



<b>PART #</b>	<b>CI103SX-48140-P1</b>	<b>Revision: 0-2018</b>
<b>BACKUP ALARM</b>		

## DESCRIPTION

Challenge Electronics Indicator; 103.5 mm Length; Speaker Assembly; Other(X) Termination; 48 Vdc Maximum Voltage; 1,400 Hz. Resonant Frequency; Pulsating Tone; Version 1

## FEATURES

- Flame Retardant Plastic
- RoHS, Lead Free REACH (SVHC) Compliant
- ISO 9001 Certified

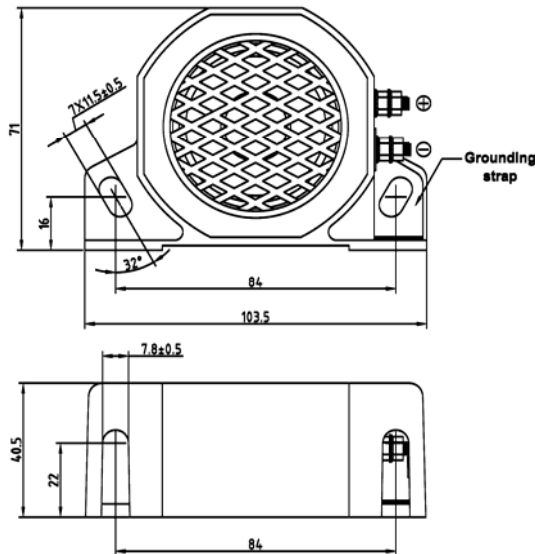


## SPECIFICATIONS

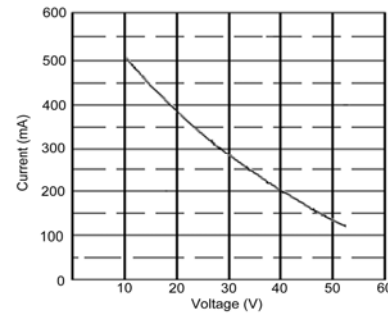
Alarm Type	Pulsating Tone	Sound Frequency	1,400 Hz. ± 10 %	Cycle Rate	1.17 ± 10% Cycles per Second			
Operating Voltage	12 - 48 Vdc	Rated Voltage	28 Vdc					
Sound Pressure Level	Minimum 102 ± 4 dB(A) at 4 ft.							
Operating Current	Maximum 600 mA							
Operating Temperature	-40°C to +85°C	Storage Temperature	-40°C to +85°C					
Material	Housing: Nylon	Sound Port Opening		Side				
	Termination: Screw Terminals							
Physical Dimensions	Length (L)	103.5 mm	Width (W)	40.5 mm	Height	71 mm	Mounting Screws Spacing	84 mm
Approximate Weight	320 grams ± 10 %	Removable Washing Label	No	Compliance	RoHS, Lead Free, and REACH (SVHC)			
Options								

**Warranty** For a period of one (1) year from date of shipping under normal operations conditions  
This warranty does not apply to products damaged through misuse, abuse, improper installation, alteration, rework, or attempt to repair

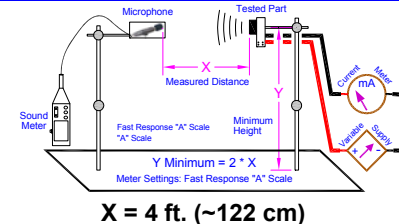
## DIMENSIONS Units in: mm Tolerance: ± 1.0 mm



## Current vs. Input Voltage Response



## TEST SETUP



## SUBSTANCE OF VERY HIGH CONCERN (REACH) and RoHS LEAD FREE COMPLIANCE

This product does NOT contain any of the REACH Substances of Very High Concern (SVHC), and complies with European Union REACH Regulation No.1907/2006 regarding chemical substances that must be registered and disclosed

Lead (Pb) / Lead Compounds	≤1,000 ppm	≤ 10,000 ppm	Poly Brominated Diphenyl Ethers (PBDE)	≤1,000 ppm	In compliance
Mercury (Hg) / Mercury Compounds	≤1,000 ppm	In compliance	Bis (2-Ethylhexyl) Phthalate (DEHP)	≤1,000 ppm	In compliance
Cadmium (Cd) / Cadmium Compounds	≤ 100 ppm	In compliance	Butyl Benzyl Phthalate (BBP)	≤1,000 ppm	In compliance
Hexavalent Chromium (Cr <sub>VI</sub> )	≤1,000 ppm	In compliance	Dibutyl Phthalate (DBP)	≤1,000 ppm	In compliance

In Challenge Electronics role as Supplier, we have taken the necessary steps towards our China Manufacturing in order to get a written confirmation about their knowledge of the Regulation and their analysis of the impact on their company

Revision	Description	By	Date
0-2018	Initial Specification Sheet	JL	2018-06-18