



# PRODUCT INFORMATION

<b>PART #</b>	<b>CONTACT-314A</b>	<b>Revision: 0-2012</b>
	<b># 314 Anode Battery Contact</b>	
<b>ISO 9001</b>		

## SPECIFICATIONS

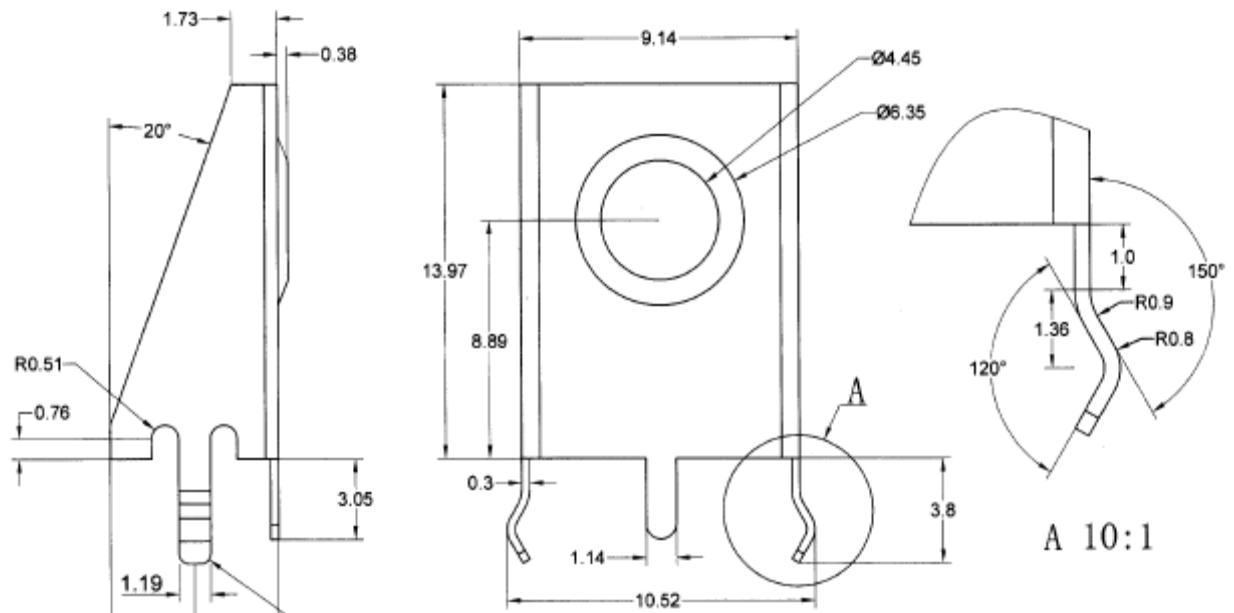
<b>Battery Contact Type</b>	<b>314</b>	<b>Number of Contacts</b>	<b>1 Anode</b>
<b>Operating Temperature</b>	<b>-30°C to + 85°C</b>	<b>Storage Temperature</b>	<b>-40°C to +95°C</b>
<b>Contact Material</b>	<b>Contact- 0.3 mm Thick, Steel with Nickel Plating</b>		
<b>Approximate Weight</b>	<b>grams</b>	<b>Compliance</b>	<b>RoHS</b>
<b>Options</b>			

## RELIABILITY

<b>Insulation Test</b>	A minimum of 10 MΩ, measured with 100 Vdc Insulation Resistance Meter, between the Electrical Terminals and the Case
<b>Vibration Test</b>	2 Hours of at 1.5 mm with 10 to 55 Hz. vibration frequency to each of 3 perpendicular directions
<b>Termination Strength</b>	Maximum of 9.8 N (1.0 Kg) load pull test, applied to each terminal in axial direction for 10 seconds
<b>Drop Test</b>	Dropped naturally from 750 mm height onto the surface of 40 mm wooden board, 3 axes (X,Y,Z) directions, 3 times (6 times total)
<b>Warranty</b>	For a period of one (1) year from date of shipping under normal operations conditions

## DIMENSIONS

Dimensions in mm; Tolerance ±0.5 mm



- NOTES**
- 1.MATFRIAL:0.3mm SPRING STEEL
  - 2.FINISH: TIN NICKEL PLATE