

INDICATORS • SPEAKERS • SOUND TRANSDUCERS • ENCLOSURES • MICROPHONES • BATTERY ACCESSORIES

## CAB82CC-03W-1

Former P/N: BH-232A

Rev. 1-2019  
RoHS3 & REACH  
Battery Assembly



### Physical Characteristics

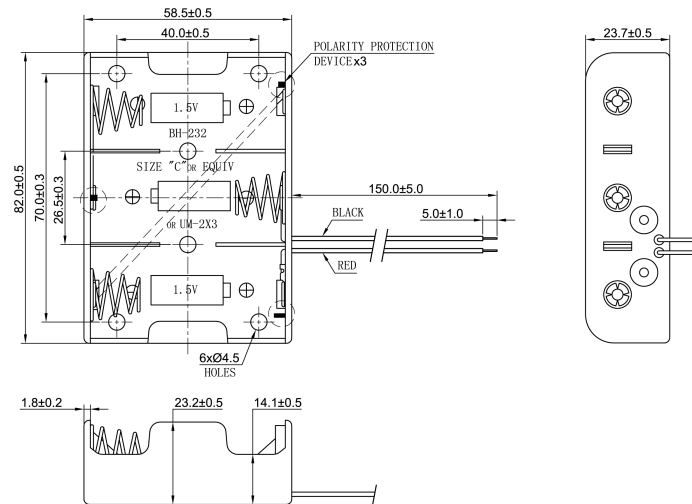
#### MATERIALS

Housing	PP Resin
Contact	∅0.8mm Steel, Nickel Plated Springs Brass, Nickel Plated Rivets
Wire	UL 1007, 24 AWG

#### TEMPERATURE RANGES

Operating	-20 to +65 °C
Storage	-30 to +85 °C

Cell Type C Cell, or equivalent



Revision	Description	By	Date
1-2019	Migrate to new format. Updated mechanical drawing dimensions from 81+/-1mm to 82+/-0.5mm, 59+/-1mm to 58.5+/-0.5mm, 70.5+/-1mm to 70+/-0.3mm, 2mm to 1.8+/-0.2mm, ∅4.2mm to ∅4.5mm, and 22.5+/-0.5mm to 23.7+/-0.5mm.	JL	2019-05-13

Warranty: For a period of one (1) year from date of shipping under normal operations conditions This warranty does not apply to products damaged through misuse, abuse, improper installation, alteration, rework, or attempt to repair.

The information contained herein is believed to be correct, but no guarantee or warranty, express or implied, with respect to accuracy, completeness or results is extended and no liability is assumed. Challenge Electronics reserves the right to make changes in any specification, data or material contained herein.  
©2019 Challenge Electronics, Inc. 20190826153944