

INDICATORS • SPEAKERS • SOUND TRANSDUCERS • ENCLOSURES • MICROPHONES • BATTERY ACCESSORIES

CAB14TA-01T-1

Former P/N: BC-0301

Rev. 0-2020
 RoHS3 & REACH
 Battery Assembly



Physical Characteristics

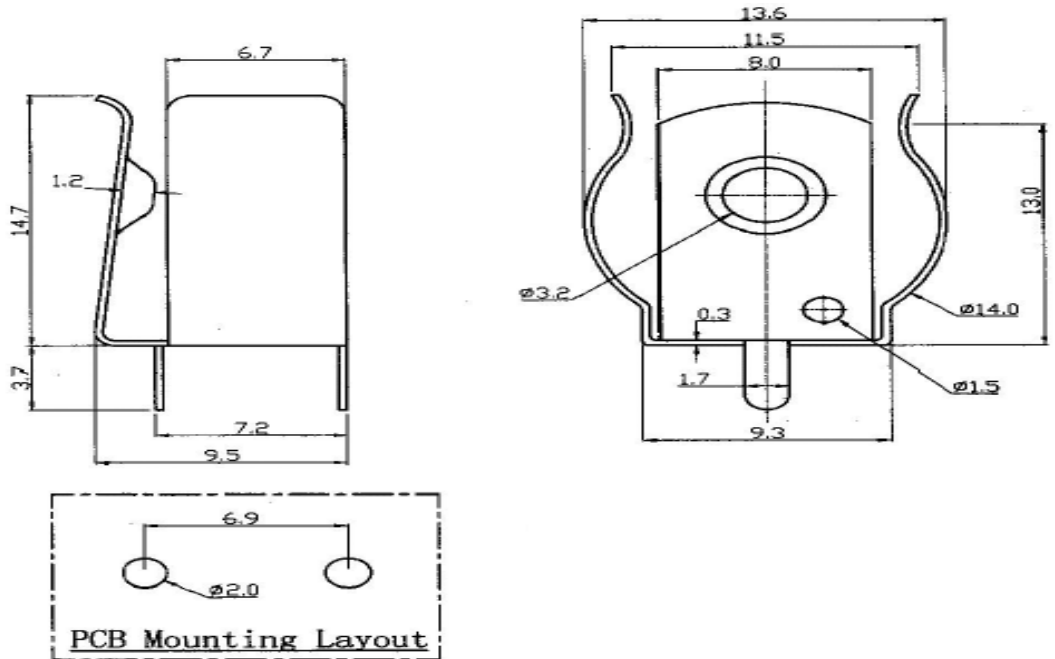
MATERIALS

Contact Steel with Nickel Plating

TEMPERATURE RANGES

Operating -30 to +85 °C
 Storage -40 to +95 °C

Cell Type Contact AA, or equivalent



Revision	Description	By	Date
0-2020	new spec	WS	2020-03-16

Warranty: For a period of one (1) year from date of shipping under normal operations conditions This warranty does not apply to products damaged through misuse, abuse, improper installation, alteration, rework, or attempt to repair.

The information contained herein is believed to be correct, but no guarantee or warranty, express or implied, with respect to accuracy, completeness or results is extended and no liability is assumed. Challenge Electronics reserves the right to make changes in any specification, data or material contained herein.
 ©2020 Challenge Electronics, Inc. Pub. 20200316142442