

CS30-02D40-10-1

Rev. 0-2022
RoHS3 & REACH
Round Speakers



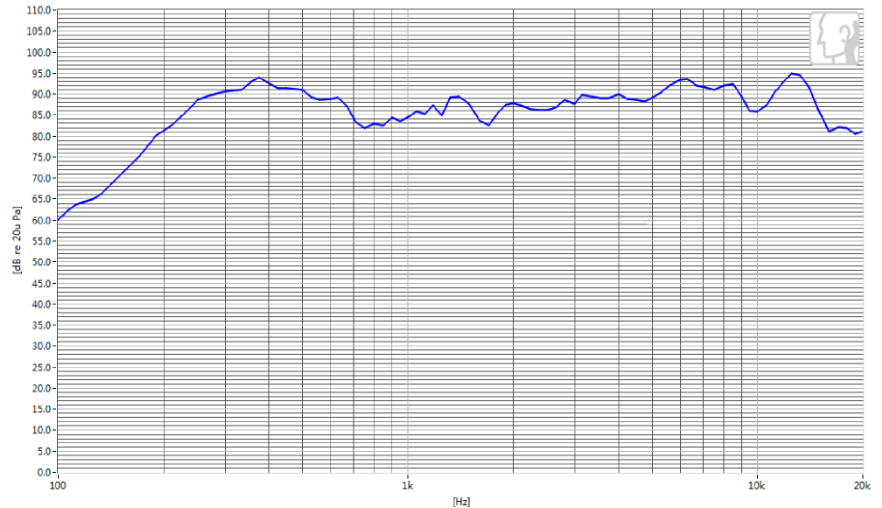
Operating Characteristics

ELECTRICAL

| | |
|----------------------|-------------------------------|
| Rated Power | 2 W |
| Short Term Max Power | 3 W |
| Impedance | 4 Ω ± 15 % 1000 Hz; 0.25 W |

ACOUSTIC: Baffle Board

| | |
|-------------|--|
| f_0 | 400 Hz ± 20 % |
| Freq. Range | 400 to 20,000 Hz |
| Rated SPL | 86 ± 3 dB 800, 1000, 1200, 1500 Hz; Avg; 0.1 W; 10 cm; |
| Distortion | <5 % 1000 Hz; 0.1 W |



Physical Characteristics

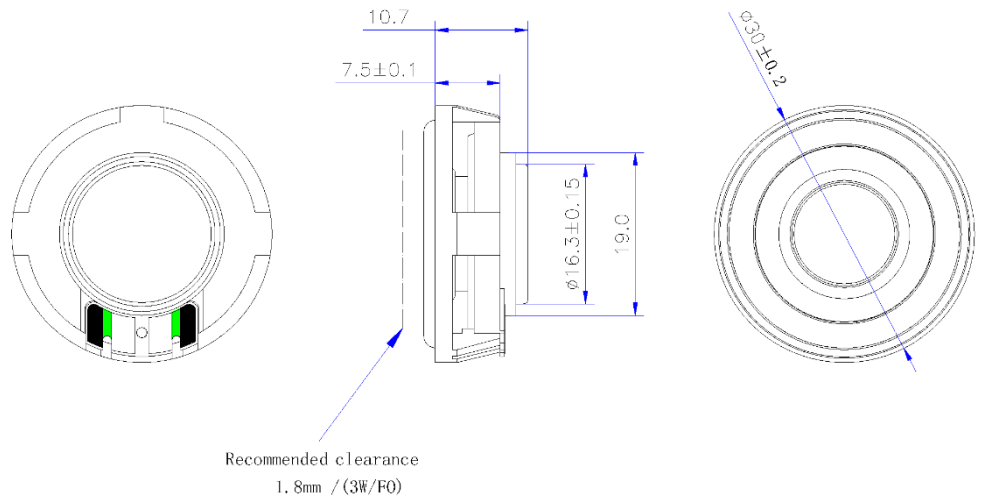
MATERIALS

| | |
|-------------|-------------------|
| Housing | PC |
| Cone | PU + PEI |
| Magnet | NdFeB |
| Solder Pads | Tin Plated Copper |

TEMPERATURE RANGES

| | |
|-----------|---------------|
| Operating | -30 to +70 °C |
| Storage | -40 to +85 °C |

Weight 9.5 g



General tolerance = ±0.3 mm and all measurements in mm unless otherwise noted.

| Revision | Description | By | Date |
|----------|------------------------|----|------------|
| 0-2022 | Original Specification | AL | 2022-11-09 |

Warranty: For a period of one (1) year from date of shipping under normal operations conditions. This warranty does not apply to products damaged through misuse, abuse, improper installation, alteration, rework, or attempt to repair.

The information contained herein is believed to be correct, but no guarantee or warranty, express or implied, with respect to accuracy, completeness or results is extended and no liability is assumed. Challenge Electronics reserves the right to make changes in any specification, data or material contained herein.